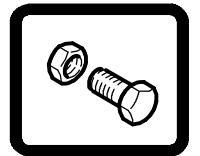


**FLOOR EQUIPMENT PARTS.COM**

# T3e

Scrubber-Dryer

Parts Manual



**FaST**  
Foam Scrubbing Technology  
The Safe Scrubbing Alternative®

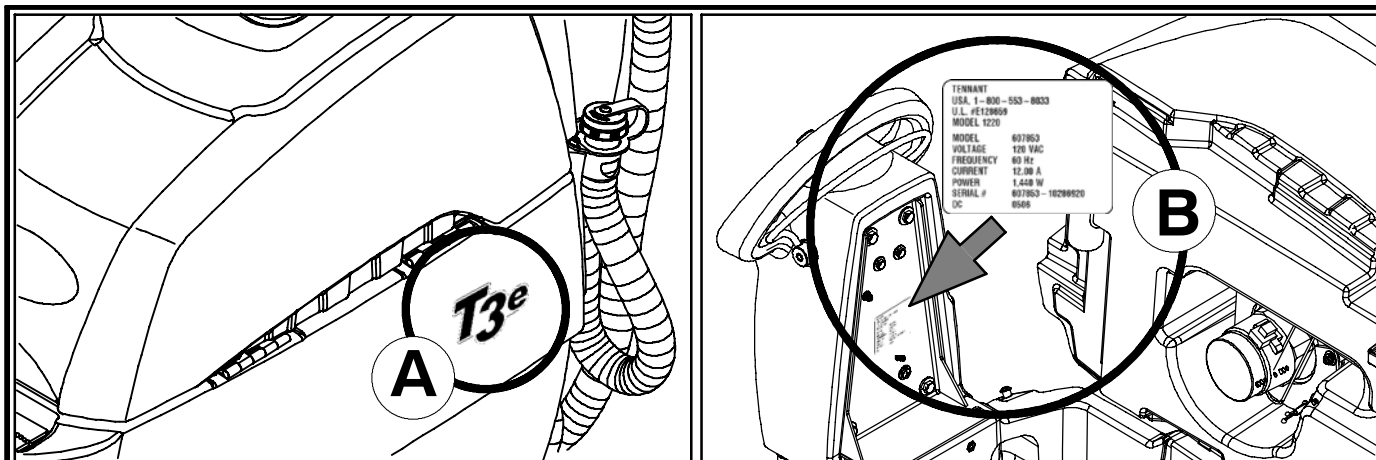
**ecH2O™**  
ELECTRICALLY CONVERTED WATER

North America / International

www.tennantco.com

1030167  
Rev. 05 (06-2009)





Ref	Part No.	Serial Number	Description	Qty.
1	82681	(000000- )	Bracket W/dt, Lpg Mount	1
2	63810	(000000- )	h Assy, Lpg Tank Mtg, W/Nut	4
3	51839	(000000- )	at Adjustable, Lpg Tank Mtg	2
4	49263	(000000- )	Tie, Cable	3
5	82556	(000000-001039)	Bracket, Vaporizer	1
6	54930	(000000- )	Vaporizer, LPG	1

**HOW TO ORDER PARTS - See diagram above**

Only use TENNANT Company supplied or equivalent parts. Parts and supplies may be ordered online, by phone, by fax or by mail.

Follow the steps below to ensure prompt delivery.

1. (A) Identify the machine model.
2. (B) Identify the machine serial number from the data label.
3. (C) Ensure the proper serial number is used from the parts list.
4. Identify the part number and quantity. Do not order by page or reference numbers.
5. Provide your name, company name, customer ID number, billing and shipping address, phone number and purchase order number.
6. Provide detail shipping instructions.

- (D) ▽ - identifies an assembly
- ▲ - identifies parts included in assembly
- (E) ● - identifies a recommended stock item

**Please fill out at time of installation for future reference.**

Model No. - \_\_\_\_\_

Serial No. - \_\_\_\_\_

Machine Options - \_\_\_\_\_

Sales Rep. - \_\_\_\_\_

Sales Rep. phone no. - \_\_\_\_\_

Customer ID Number - \_\_\_\_\_

Installation Date - \_\_\_\_\_

**Tennant Company**  
 PO Box 1452  
 Minneapolis, MN 55440 USA  
 Phone: (800) 553-8033 or  
 (763) 513-2850  
 www.tennantco.com

**Tennant Company Shanghai**  
 Building 3, No. 66, Tian Ying Road  
 Shanghai Qingpu Industrial Zone  
 Shanghai 201700  
 People's Republic of China  
 Phone: (86-21) 6922-5333  
 www.tennantco.com.cn

**TENNANT Company Japan**  
 Sanka Bldg. 5F  
 2-9 Minami Saiwai-cho  
 Saiwai-Ku  
 Kawasaki, Kanagawa 212-0016  
 Tel: 044-556-1201  
 Fax: 044-556-1202  
 www.tennant.co.jp

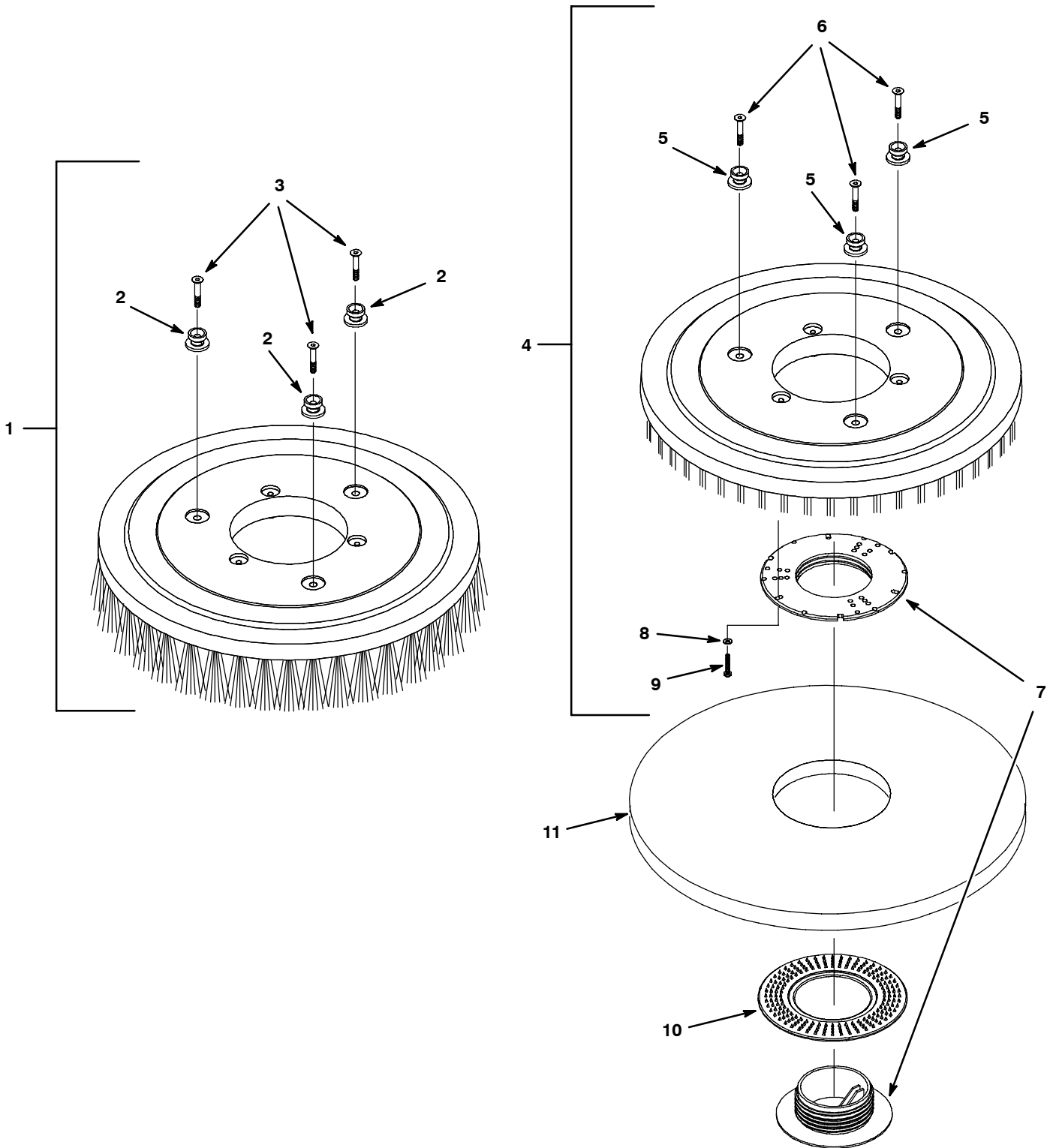
Specifications and parts are subject to change without notice.

Copyright © 2006, 2007, 2008, 2009  
 TENNANT Company, Printed in China

**TABLE OF CONTENTS**

REPLACEMENT BRUSH AND PAD DRIVER GROUP .....	4	BATTERY AND CABLE GROUP, 12V/105 AH, 43 cm (17 in) BRUSH ASSIST MODEL .....	48
RECOVERY TANK GROUP .....	6	BATTERY AND CABLE GROUP, 12V/130 Ah, 50 cm (20 in) BRUSH ASSIST MODEL .....	49
VACUUM MOTOR GROUP .....	8	BATTERY AND CABLE GROUP, 12V/155 AH, 50 cm (20 in) DRIVE MODEL .....	50
SOLUTION TANK GROUP .....	10	ELECTRICAL DIAGRAM, BRUSH ASSIST STANDARD & FaST MODEL .....	51
CONTROL CONSOLE GROUP, DRIVE MODEL .....	12	ELECTRICAL DIAGRAM, DRIVE STANDARD & FaST MODEL .....	52
COMPONENT PANEL GROUP, DRIVE MODEL .....	14	ELECTRICAL DIAGRAM, BRUSH ASSIST ec-H2O MODEL .....	53
CONTROL CONSOLE GROUP, BRUSH ASSIST MODEL .....	16	ELECTRICAL DIAGRAM, DRIVE ec-H2O MODEL .....	54
COMPONENT PANEL GROUP, BRUSH ASSIST MODEL .....	18	<b>OPTIONS</b>	
WHEEL GROUP, BRUSH ASSIST MODEL .....	20	OFF-BOARD BATTERY CHARGER GROUP ...	55
WHEEL GROUP, DRIVE MODEL (S/N 80001782- ) .....	22	ON-BOARD BATTERY CHARGER GROUP, STANDARD & FaST MODEL .....	56
WHEEL GROUP, DRIVE MODEL (S/N 00000000-80001781) .....	24	ON-BOARD BATTERY CHARGER GROUP, STANDARD & FaST MODEL .....	57
SCRUB HEAD GROUP, 43 cm (17 in) MODEL ..	26	ON-BOARD BATTERY CHARGER GROUP, ec-H2O MODEL .....	58
SCRUB HEAD GROUP, 50 cm (20 in) MODEL ..	28	ON-BOARD BATTERY CHARGER GROUP, ec-H2O MODEL .....	59
SCRUB HEAD LIFT GROUP .....	30	PARKING BRAKE GROUP .....	60
SOLUTION GROUP, FaST MODEL .....	32	EMERGENCY STOP BUTTON GROUP .....	61
SOLUTION GROUP, FaST MODEL - CONT'D .....	34	DOCUMENTATION GROUP .....	62
9003906 FAST INJECTOR ASSEMBLY BREAKDOWN (S/N 80001391- ) ....	36		
9003801 FAST INJECTOR ASSEMBLY BREAKDOWN (S/N 00000000-80001390) ...	37		
SOLUTION GROUP, ec-H2O MODEL .....	38		
SOLUTION GROUP, ec-H2O MODEL - CONT'D .....	40		
9006161 ec-H2O MODULE ASSEMBLY BREAKDOWN .....	42		
SOLUTION GROUP, STANDARD MODEL .....	44		
SQUEEGEE GROUP, 500 mm .....	46		

REPLACEMENT BRUSH AND PAD DRIVER GROUP

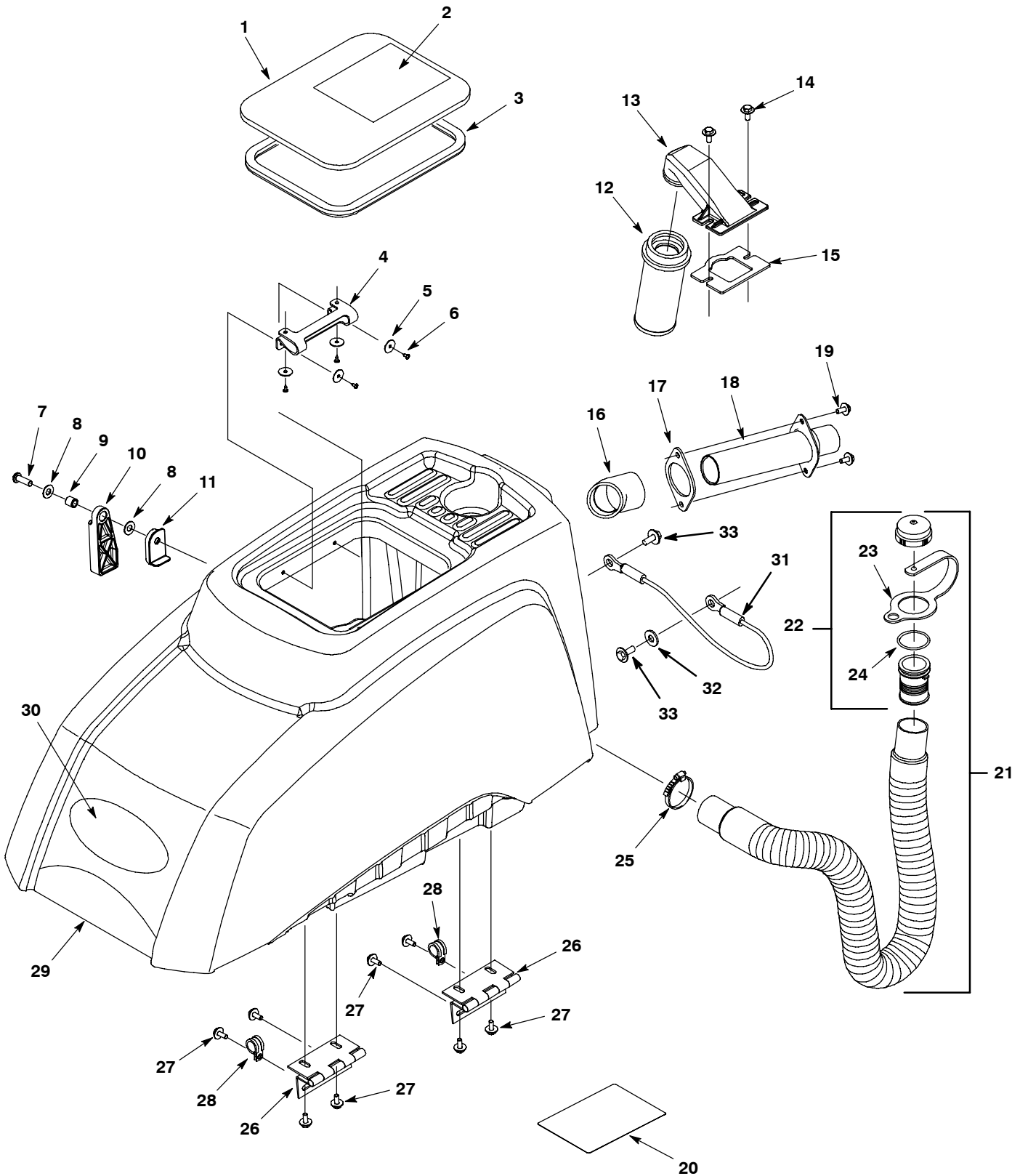


## REPLACEMENT BRUSH AND PAD DRIVER GROUP

Ref.	Part No.	Serial Number	Description	Qty.
1	1016765	(00000000-	)● Brush Assy, Disk, 43cm/17inch, Polypropylene Scrub (Black)	1
1	1016764	(00000000-	)● Brush Assy, Disk, 43cm/17inch, Soft Nylon (White)	1
1	1016763	(00000000-	)● Brush Assy, Disk, 43cm/17inch, Super Abrasive Scrub (Gray)	1
1	1016811	(00000000-	)● Brush Assy, Disk, 50cm/20inch, Polypropylene Scrub (Black)	1
1	1016810	(00000000-	)● Brush Assy, Disk, 50cm/20inch, Soft Nylon (White)	1
1	1016805	(00000000-	)● Brush Assy, Disk, 50cm/20inch, Super Abrasive Scrub (Gray)	1
2	1013018	(00000000-	) Stud, Drive, Brush Pad	3
3	07809	(00000000-	) Screw, Flt, M6 X 1.0 X 35, 10.9	3
4	1016813	(00000000-	)● Driver Assy, Pad, 43cm/17inch	1
4	1016814	(00000000-	)● Driver Assy, Pad, 50cm/20inch	1
5	1013018	(00000000-	) Stud, Drive, Brush Pad	3
6	07809	(00000000-	) Screw, Flt, M6 X 1.0 X 35, 10.9	3
7	32506	(00000000-	)● Device, Centering, Rh Pad Retainer	1
8	41579	(00000000-	) Washer, Flat, #08, Ss	3
9	04403	(00000000-	) Screw, Pan, M4 X 0.7 X 25, Ss, NI	3
10	32505	(00000000-	)● Washer, Flat, 3.60b 5.65d .06, Brush Pad	1
11	1050273	(00000000-	)● Pad, Polish, 17.0d, White [1pick=1pad]	1
11	1050271	(00000000-	)● Pad, Buff, 17.0d, Red [1pick=1pad]	1
11	1050270	(00000000-	)● Pad, Scb, 17.0d, Blue [1pick=1pad]	1
11	1050267	(00000000-	)● Pad, Stripping, 17.0d, Brown[1pick=1pad]	1
11	1050262	(00000000-	)● Pad, Stripping, 17.0d[Hi Pro,1pick=1pad] (Black)	1
11	1051028	(00000000-	)● Pad, Surf Prep, 17.0d [Mar, 1pick=1pad] (Maroon)	1
11	17260	(00000000-	)● Pad, Polish, 20.0d, White [1pick=1pad]	1
11	17261	(00000000-	)● Pad, Buff, 20.0d, Red [1pick=1pad]	1
11	17262	(00000000-	)● Pad, Scb, 20.0d, Blu [1pick=1pad] (Blue)	1
11	17263	(00000000-	)● Pad, Stripping, 20.0d, Brown[1pick=1pad]	1
11	370094	(00000000-	)● Pad, Stripping, 20.0d[Hi Prod,1pick=1pad] (Black)	1
11	1051030	(00000000-	)● Pad, Surf Prep, 20.0d [Mar, 1pick=1pad] (Maroon)	1

## ● RECOMMENDED STOCK ITEMS

RECOVERY TANK GROUP



## RECOVERY TANK GROUP

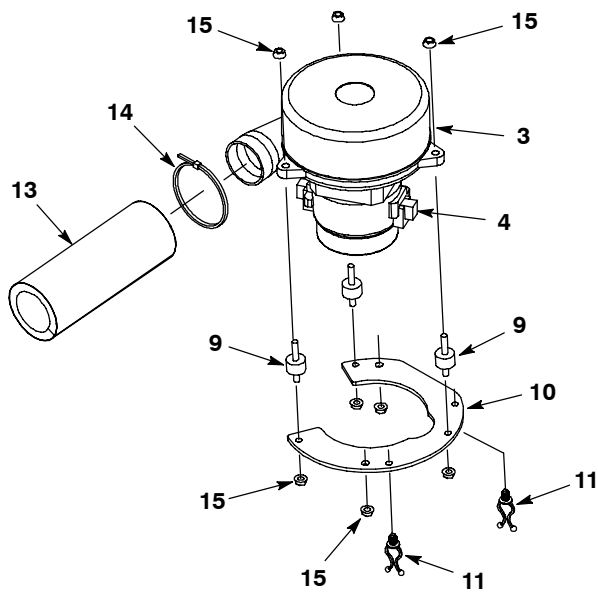
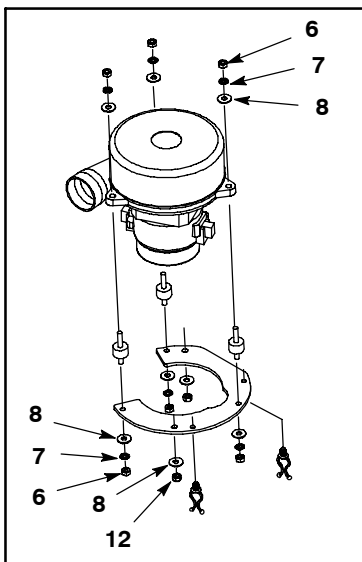
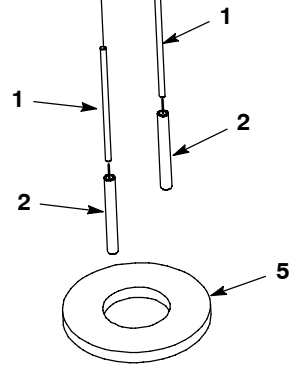
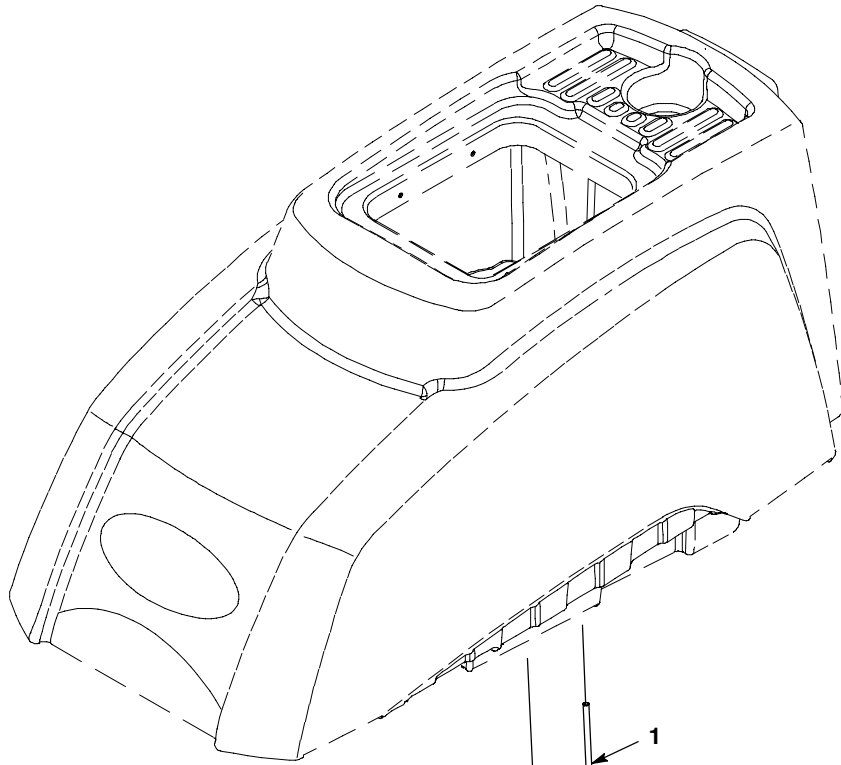
Ref.	Part No.	Serial Number	Description	Qty.
▽	1	9003397	(00000000- )● Lid Assy, W/ Label [En/Es/Fr/Ch]	1
▲	2	1037349	(00000000- ) Label, Warning [Exp,Fre,Shk En/Fr/Es/Ch]	1
▲	3	630367	(00000000- )● Seal, .50, .50w 33.9l, Adh [D Shape]	1
	4	630056	(00000000- )● Hinge, Cover, Tank Lid	1
	5	1009168	(00000000- ) Washer, Flat, 0.17b 0.75d .04, Ss	4
	6	3701.6	(00000000- ) Screw, Pan, #06-32 X 0.38, Phl Ss Shtmtl	4
	7	1039118	(00000000- ) Screw, Btn, M8 X 1.25 X 30, Blk	1
	8	140027	(00000000- ) Washer, Flat, 0.35b 0.75d .04, Ss	2
	9	222460	(00000000- ) Sleeve, P/M, 0.31b 0.50d 0.5l	1
	10	1022399	(00000000- ) Support, Tank, Prop, Blk, Nyl	1
	11	1022904	(00000000- ) Bracket, Sppt, Stop, Blk, Nyl	1
	12	630052	(00000000- )● Float, Shut-Off, (2)Ball, 1.75d	1
	13	1011777	(00000000- ) Mount, Float, Mold	1
	14	1034731	(00000000- ) Screw, Hex, M6 X 1.00 X 16, Sems, Ss	2
	15	1013628	(00000000- )● Gasket, Mtg, Float, .125th, Neo, Adh	1
	16	1028801	(00000000- ) Fitting, Plstc, E45, 1.25	1
	17	1024602	(00000000- )● Gasket, Adapter, Hose .13, Neo, Adh	1
	18	1021214	(00000000- ) Tube, Hose, Adapter, 1.5d	1
	19	1034731	(00000000- ) Screw, Hex, M6 X 1.00 X 16, Sems, Ss	2
	20	1014154	(00000000- ) Label, Instr, Battery	1
▽	21	1043538	(00000000- )● Hose Assy, Drain, 1.50id X 29.5l, Blk	1
▲▽	22	1008639	(00000000- )● Cap, Drain Assy	1
▲▲	23	1019563	(00000000- )● Strap, Cap, Drain	1
▲▲	24	1008637	(00000000- )● Seal, Org, 1.48id 1.76od	1
	25	11531	(00000000- ) Clamp, Hose, Wormdrive, 1.06-2.00d, .56w	1
	26	1012540	(00000000- ) Hinge, 6mmpin 2.5mm Th 73.5mmw 100mml	2
	27	1034731	(00000000- ) Screw, Hex, M6 X 1.00 X 16, Sems, Ss	8
	28	1016354	(00000000- ) Clamp, Cable, Ss, 0.50d X 0.50w [Insul]	2
	29	1030382	(00000000- ) Tank, Recvy, Rm-Tl, Trimmed [T3e/Ss3]	1
	30	120192	(00000000- ) Label, Logo, Oval, 07.06l,White[Tennant]	1
	31	140960	(00000000- ) Cable, Glv .13d 014.5l .34eye /.34eye	1
	32	01684	(00000000- ) Washer, Flat, 0.25 Ss	1
	33	1034731	(00000000- ) Screw, Hex, M6 X 1.00 X 16, Sems, Ss	2

▽ ASSEMBLY

▲ INCLUDED IN ASSEMBLY

● RECOMMENDED STOCK ITEMS

VACUUM MOTOR GROUP





## VACUUM MOTOR GROUP

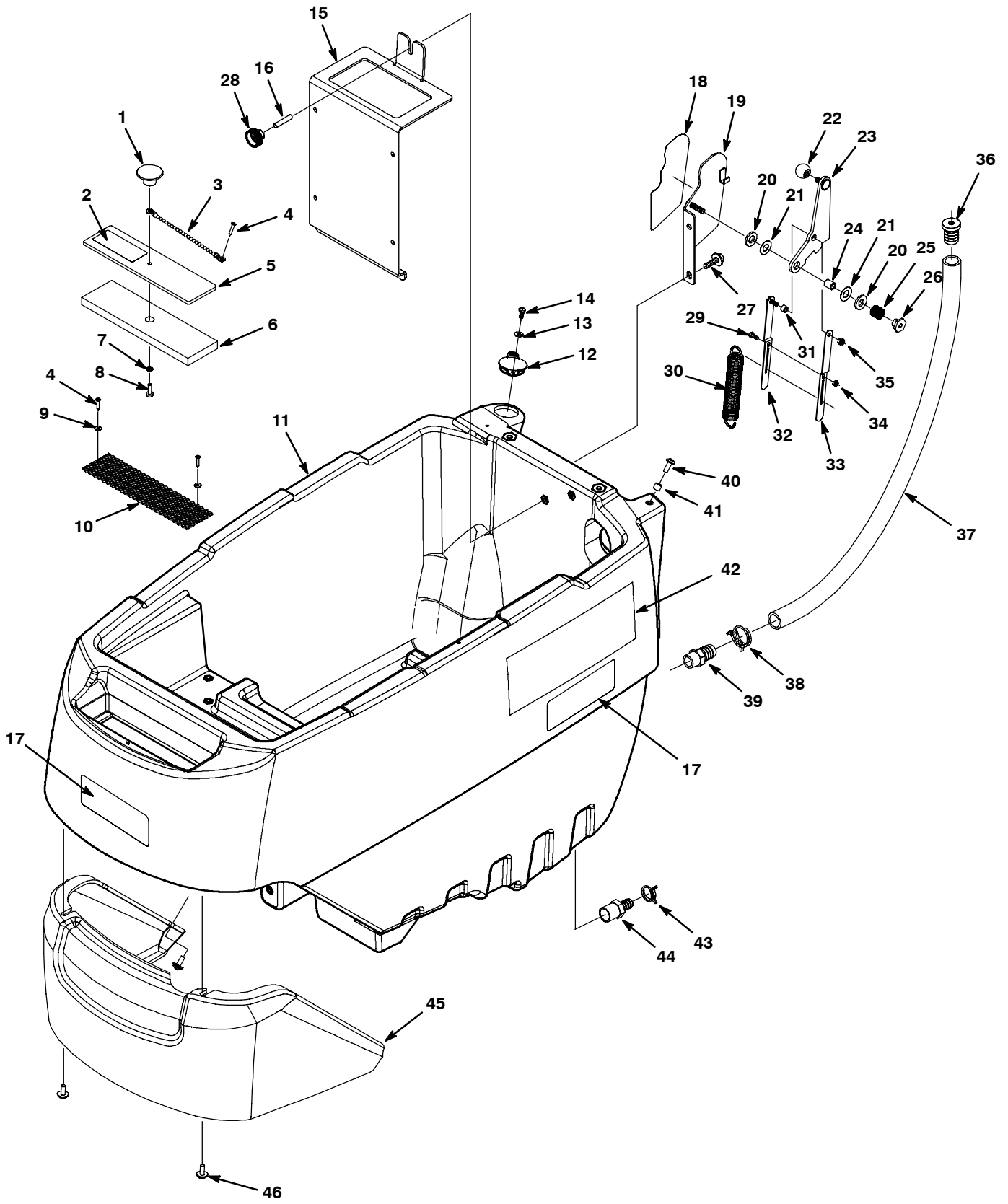
Ref.	Part No.	Serial Number	Description	Qty.
1	1015412	(00000000-	) Rod, Thrd, Full, M6x1.0, 140l	2
2	1024575	(00000000-	) Tube, 0.43d 0.28b 03.3l, Pl	2
▽	3	1023271	(00000000-)● Fan, Vacuum, 5.7d 2stage 024vdc [Bpt,Pk]	1
▲	4	372883	(00000000-)● Vr, Brush Kit, Motor, Ele	1
5	100038	(00000000-)●	Gasket, Vacuum Mtr 5.7 Epdm W/Psa	1
6	07785	(00000000-80000774)	) Nut, Hex, Std, M6 X 1.0, A2, Ss	6
7	07515	(00000000-80000774)	) Washer, Lock, Int, 0.25 Ss	6
8	01684	(00000000-80000774)	) Washer, Flat, 0.25 Ss	8
9	1011093	(00000000-	) Isolator, Vib, .75d, M6 Stud Both Ends	3
10	1011962	(00000000-	) Bracket, Mtg, Vacuum	1
11	30406	(00000000-)●	Clip, Keeper	2
12	08712	(00000000-80000774)	) Nut, Hex, Lock, M6 X 1.0, Ss, NI	2
13	1009906	(00000000-)●	Muffler, Exhaust, Vacuum, 170l	1
14	130773	(00000000-)●	Tie, Cable, Nyl, 11.0l, .14w, 3.0 Max. D	1
15	1040381	(80000775-	) Nut, Hex, Flng, M6 X 1.0, Ss [Serrated]	8

▽ ASSEMBLY

▲ INCLUDED IN ASSEMBLY

● RECOMMENDED STOCK ITEMS

SOLUTION TANK GROUP

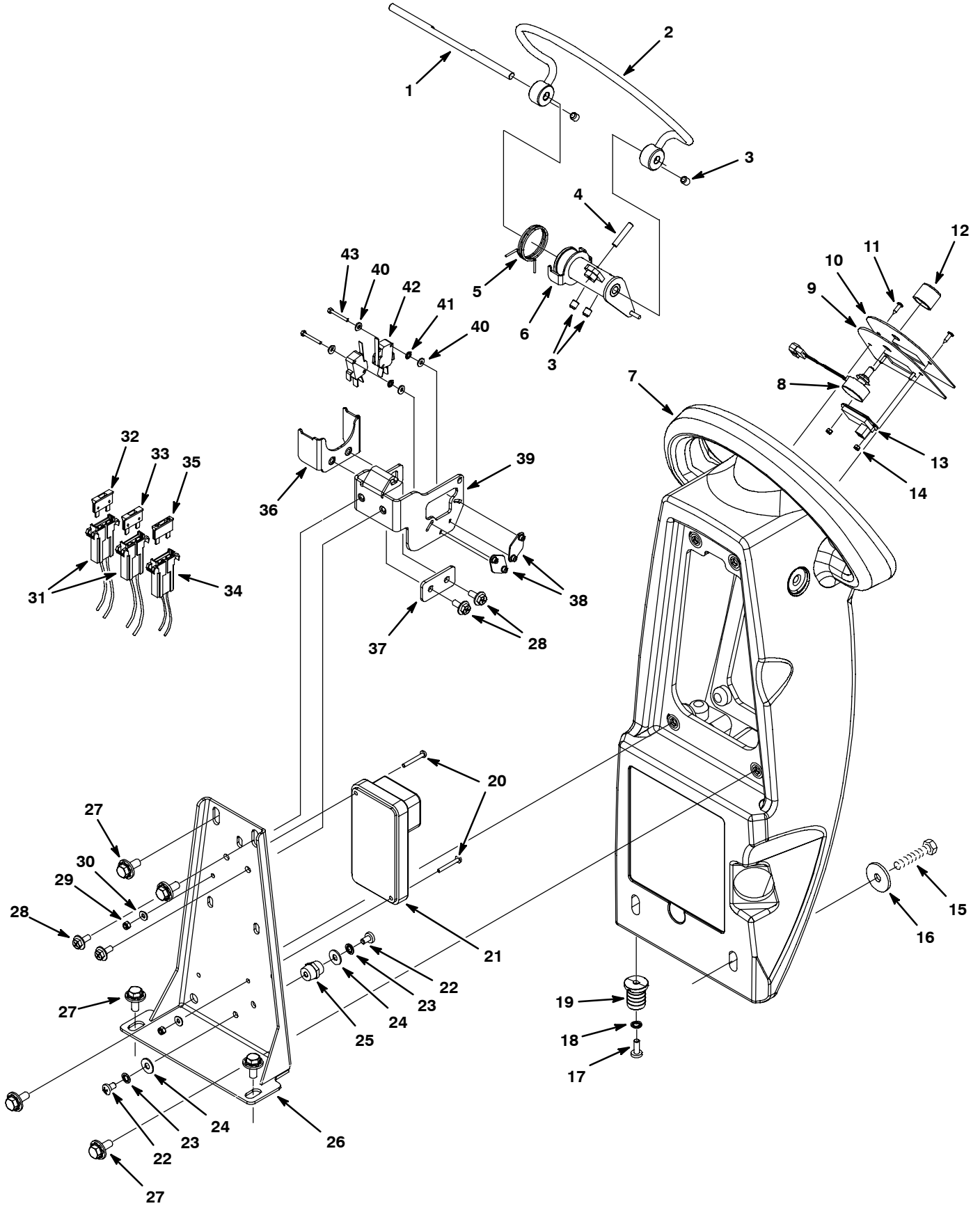


## SOLUTION TANK GROUP

Ref.	Part No.	Serial Number	Description	Qty.
1	578301	(00000000-	)● Knob 10-32f Fill-Cover	1
2	391451	(00000000-	) Label [Attention Fast Users] (Fast Model)	1
2	1050003	(80002319-	) Label, User, Attention, Ec-H2o (ec-H2O Model)	1
3	621443	(00000000-	)● Chain, Ball, #10, 157mml, Ss	1
4	140826	(00000000-	) Screw, Pan, #06-32 X 0.75, Phl Ss Shtmtl	3
5	605061	(00000000-	) Cover, Fill, Soltn	1
6	605062	(00000000-	)● Gasket, Cover, Soltn Fill	1
7	07514	(00000000-	) Washer, Lock, Int, #10, Ss	1
8	140841	(00000000-	) Screw, Pan, #10-32 X 0.62, Phl, Ss	1
9	41578	(00000000-	) Washer, Flat, #06, Ss	2
10	606146	(00000000-	)● Screen, Fltr, Soltn Fill, Nat	1
11	1040040	(00000000-	) Tank, Soltn, Rm-Tl, Trimmed [T3e]	1
12	1012965	(00000000-	)● Cap, Port, Soltn Fill	1
13	01683	(00000000-	) Washer, Flat, #10, Ss	1
14	1018155	(00000000-	) Screw, Pan, M5 X 0.8 X16, Ss, Tcut	1
15	1040598	(00000000-	) Bracket, Mtg, Chrgr [Ss3]	1
16	1018559	(00000000-	) Screw, Set, M6 X 1.00 X 30, Ss [Fltpt]	1
17	1050019	(80002319-	) Label, Side, Ec-H2o [Ss3/Ss5/Ss rider] (ec-H2O Model)	3
18	1018389	(00000000-	) Label, Lever, Dual Down Press	1
19	1018020	(00000000-	) Bracket Wldt, Mtg, Dual Dp Lever	1
20	140127	(00000000-	) Bearing, Thrust,0.51b X 1.0 X .12, Brz	2
21	89710	(00000000-	) Washer, Flat, 0.51b 1.00d .03, Nyl	2
22	1017156	(00000000-	)● Knob, Ball, M8 Insert, 40mmd, Plstc	1
23	1017493	(00000000-	) Lever, Lift, Dual Down Press	1
24	1014336	(00000000-	) Sleeve, P/M, 08.4b 12.6d 14.5l, PI	1
25	1018756	(00000000-	) Spring, Cmpr, 0.70d .080wir 00.7l,PI[Mw]	1
26	1018181	(00000000-	) Nut, T, M8 X 1.25 X 0.50od X 0.4l	1
27	1020341	(00000000-	) Screw, Hex, M8 X 1.25 X 20, Ss, Sems	2
28	578439	(00000000-	) Nut, Thumb, M6 X 1.0, 24mm Od	1
29	09738	(00000000-	) Screw, Hex, M5 X 0.8 X 12, Ss	1
30	1031783	(00000000-	) Spring, Extn, 1.00od 0.12wir 06.3l	1
31	1017884	(00000000-	) Bushing, Sleeve, 6mmb 10mmd 7mml	1
32	1017882	(00000000-	) Link Wldt, Spring, Lever	1
33	1017805	(00000000-	) Link, Spring, Lever	1
34	09739	(00000000-	) Nut, Hex, Lock, M5 X 0.8, NI, Ss	1
35	08708	(00000000-	) Nut, Hex, Lock, M6 X 1.0, NI	1
36	1035469	(00000000-	) Fitting, Plastic, Bm12 [Sight Tube]	1
37	1029829	(00000000-	) Hose, Drain, Soltn Tank	1
38	608915	(00000000-	) Clamp, Hose, Wir, 1.03 - 1.09	1
39	78398	(00000000-	) Fitting, Plstc, Str, Bm12/Pm08, Nyl	1
40	608322	(00000000-	) Screw, Trs, M6 X 1.0 X 16, Phl, Ss	1
41	140154	(00000000-	) Sleeve, P/M, 0.25b 0.38d 0.3l, PI	1
42	1030164	(00000000-	) Label, Side [T3e] (Standard & ec-H2O Model)	2
42	1030165	(00000000-	) Label, Side [T3e W/Fast]	2
43	607776	(00000000-	) Clamp, Hose, Wir, .73 - .77, Silver	1
44	1023581	(00000000-	) Fitting, Plstc, Str, Bm08/Pm08, Nyl	1
45	1031974	(00000000-	) Cover, Head, Rm-Cphg, Trimmed [T3e]	1
46	1034731	(00000000-	) Screw, Hex, M6 X 1.00 X 16, Ss, Sems	6

## ● RECOMMENDED STOCK ITEMS

CONTROL CONSOLE GROUP, DRIVE MODEL



CONTROL CONSOLE GROUP, DRIVE MODEL

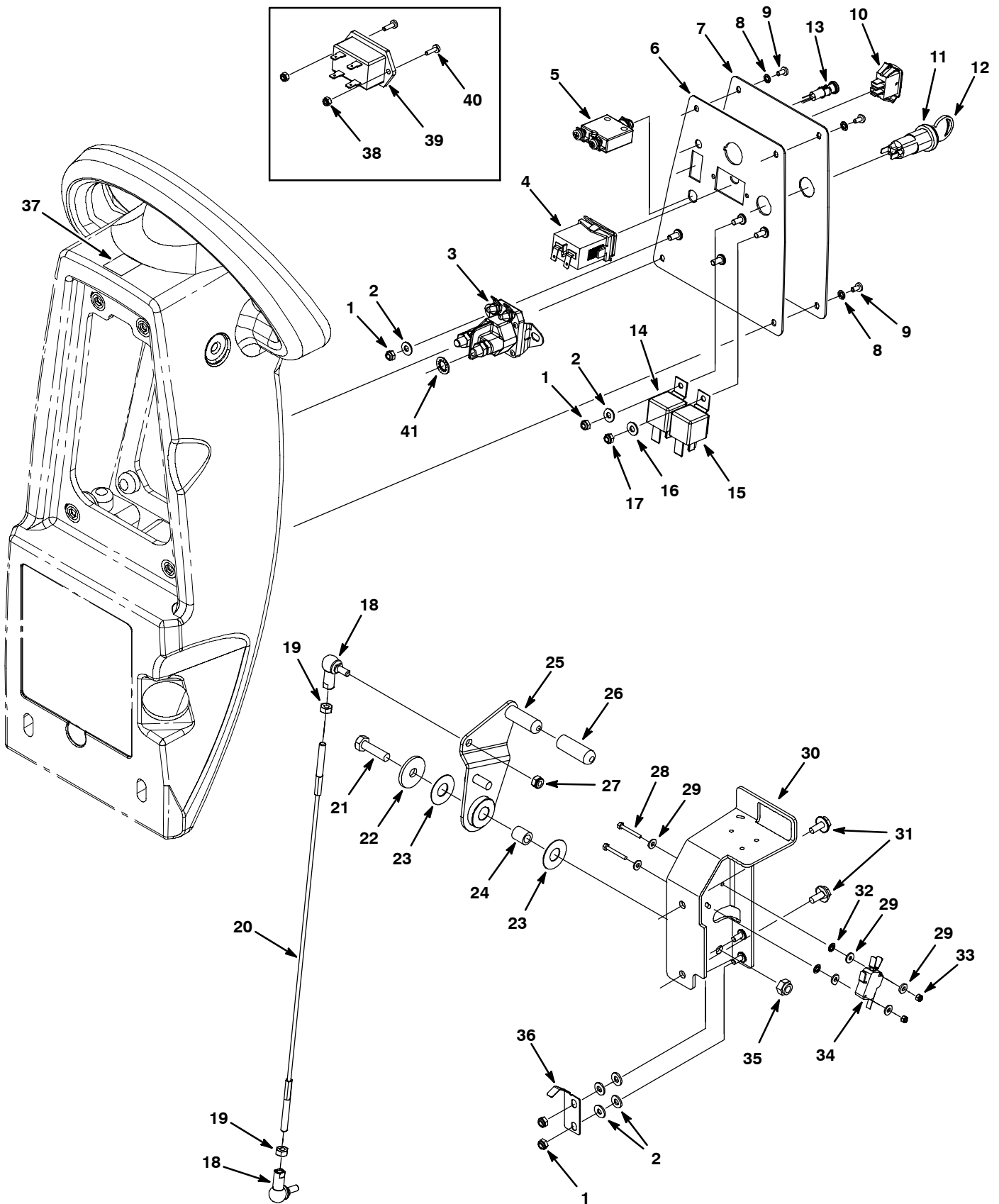
Ref.	Part No.	Serial Number	Description	Qty.
1	1013342	(00000000-	) Shaft, Actuator, Forward / Reverse	1
2	1013363	(00000000-	) Lever Wldt, Bail, Console	1
3	1015578	(00000000-	) Screw, Set, M8 X 1.25 X 8, Ss, NI[Cuppt]	4
4	1018559	(00000000-	) Screw, Set, M6 X 1.00 X 30, Ss [Fltpt]	1
5	630088	(00000000-	) Spring, Tors, Cntr, .072, Pl, Mw	1
6	1013381	(00000000-	) Collar Wldt, Actuator, Console	1
7	1018745	(00000000-	) Housing, Cntrl, Afmkt [T3]	1
8	1042687	(00000000-	) Harness, Pot, Wire Assy [45k Ohm]	1
9	1011707	(00000000-	) Panel, Cntrl, Upper	1
10	1014157	(00000000-	) Label, Opertnl, Upper, Propel [Tt]	1
11	140825	(00000000-	) Screw, Pan, Phl, 06 X 0.50, Fmg/Ab, Blk	2
12	606550	(00000000-	)● Knob, Rnd, 0.92d 0.76l 0.25b, Plstc	1
13	392894	(00000000-	)● Gauge, Discharge, Battery, 36vdc, Rt,Led	1
14	579211	(00000000-	) Nut, Hex, Lock, M3 X 0.50, NI, Ss	2
15	09026	(00000000-	) Screw, Hex, M8 X 1.25 X 40, Ss	2
16	1016331	(00000000-	) Washer, Flat, 0.34b 1.25d .11, Ss	2
17	367770	(00000000-	) Screw, Pan, Phl, M6 X 1.00 X 16, Ss	1
18	07515	(00000000-	) Washer, Lock, Int, 0.25, Ss	1
19	1035469	(00000000-	) Fitting, Plstc, Bm12 [Sight Tube]	1
20	33931	(00000000-	) Screw, Pan, Phl, M4 X 0.70 X 30, Ss	2
21	1010905	(00000000-	)● Module, Drive	1
22	48732	(00000000-	) Screw, Pan, Phl, M6 X 1.00 X 10, Ss	2
23	07515	(00000000-	) Washer, Lock, Int, 0.25, Ss	2
24	01684	(00000000-	) Washer, Flat, 0.27b 0.69d .05, Ss	2
25	1013523	(00000000-	)● Stand-Off, Wir, M6, 18 Hex, 20l, Insul	1
26	1054129	(00000000-	) Bracket, Hsng, Cntrl, Alm [T3, Ss3]	1
27	1020341	(00000000-	) Screw, Hex, M8 X 1.25 X 20, Ss, Sems	6
28	1034731	(00000000-	) Screw, Hex, M6 X 1.00 X 16, Sems, Ss	4
29	33932	(00000000-	) Nut, Hex, Lock, M4 X 0.70, NI, Ss	2
30	41579	(00000000-	) Washer, Flat, 08, Ss	2
▽	31	9006228	(00000000-)● Harness Kit, Main, Drive [T3 Na]	1
▽	31	9006226	(00000000-)● Harness Kit, Main, Drive [T3 Mid Emc] (Australian Model)	1
▲	32	1016040	(00000000-)● Fuse, Blade, 25a, 32vdc	1
▲	33	1016041	(00000000-)● Fuse, Blade, 30a, 32vdc	1
▽	34	1013644	(00000000-)● Harness [Fast Option] (Fast Model)	1
▲	35	1016039	(00000000-)● Fuse, Blade, 7.5a, 32vdc (Fast Model)	1
▽	34	1045924	(80002319-)● Harness Assy, Wire [T3e Ec-H2o, P3] (ec-H2O Model)	1
▲	35	1047470	(80002319-)● Fuse, 10 Amp (ec-H2O Model)	1
	36	1015570	(00000000-) Bracket, Spring, Balancer, Bail	1
	37	1015826	(00000000-) Plate, Screw, Bail	1
	38	1013705	(00000000-) Plate, Thread, Switch, M3 Nut, 96hr PI	2
	39	1013364	(00000000-) Bracket, Switch, Bail	1
	40	41578	(00000000-) Washer, Flat, 06, Ss	8
	41	02938	(00000000-) Washer, Lock, Int, 08, Ss	4
	42	1012568	(00000000-)● Switch, Snap, 10a, Short	2
	43	1042062	(00000000-) Screw, Hex, M3 X 0.5 X 25, Ss	4

▽ ASSEMBLY

▲ INCLUDED IN ASSEMBLY

● RECOMMENDED STOCK ITEMS

COMPONENT PANEL GROUP, DRIVE MODEL



## COMPONENT PANEL GROUP, DRIVE MODEL

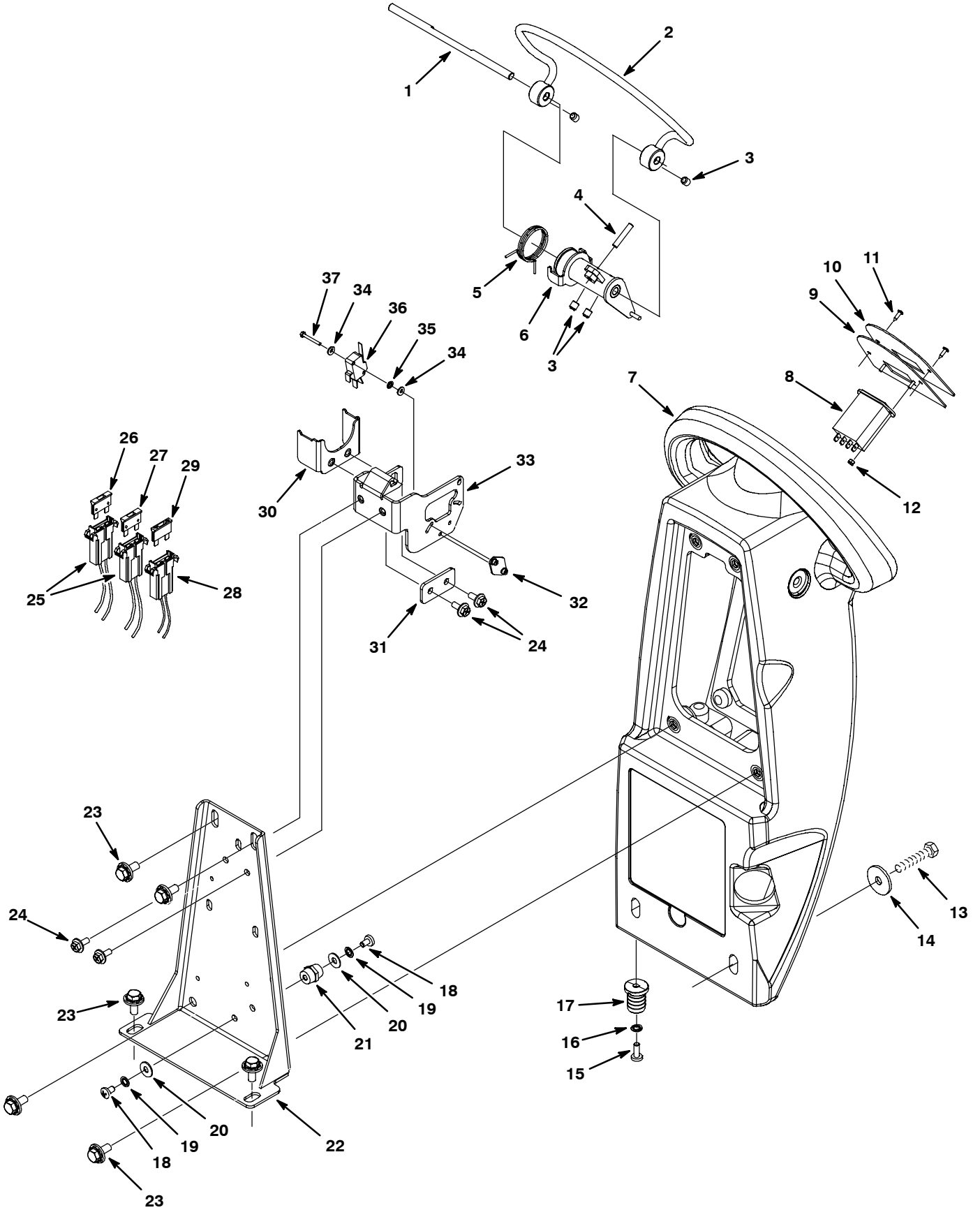
Ref.	Part No.	Serial Number	Description	Qty.
1	09739	(00000000-	) Nut, Hex, Lock, M5 X 0.80, NI, Ss	5
2	01683	(00000000-	) Washer, Flat, 10, Ss	7
3	1038490	(00000000-	)● Relay, 24vdc, 100a, No [Trombetta]	1
4	1011282	(80002319-	)● Gauge, Hourmeter, 12/60 Vdc [Ret Mount]	1
5	1035339	(00000000-	)● Circuitbreaker, 37.0a	1
6	1012134	(00000000-	) Panel, Cntrl, Lower	1
7	1016628	(00000000-	) Label, Panl, Instmt, Lower [T3/T3e/Ss3]	1
7	1049998	(80002319-	) Label, Console, Lower Ec-H2o [T3 Na/Aej]	1
8	02938	(00000000-	) Washer, Lock, Int, 08, Ss	4
9	49697	(00000000-	) Screw, Pan, Phl, M4 X 0.70 X 10, Ss	4
10	130787	(00000000-	) Switch, Rocker, Spdt (Fast & ec-H2O Model)	1
▽	11	1011402	(00000000-)● Switch, Key	1
▲	12	1017696	(00000000-)● Key Set, Replmt [F/ Keyswitch 1011402]	1
13	1041822	(80002319-	)● Light, Panel, Mgt, .312" Dia. (ec-H2O Model)	1
14	1012216	(00000000-	)● Relay, 24vdc, 070a, Spst No, Plug-In	1
15	1012216	(00000000-	)● Relay, 24vdc, 070a, Spst No, Plug-In (Fast & ec-H2O Model)	1
16	01683	(00000000-	) Washer, Flat, 10, Ss (Fast & ec-H2O Model)	1
17	09739	(00000000-	) Nut, Hex, Lock, M5 X 0.80, NI, Ss (Fast & ec-H2O Model)	1
18	1044975	(00000000-	) Balljoint, M6 X 1.0 Fem, M6 X 1.0 Mal	2
19	07785	(00000000-	) Nut, Hex, Std, M6 X 1.00, Ss	2
20	1013479	(00000000-	) Cable, Glv 3.18mmd 0422l M6/ M6	1
21	09011	(00000000-	) Screw, Hex, M8 X 1.25 X 30, Ss	1
22	1016331	(00000000-	) Washer, Flat, 0.34b 1.25d .11, Ss	1
23	1013397	(00000000-	) Washer, Flat, M13 X 30 X 0.8, Nyl	2
24	1014336	(00000000-	) Sleeve, P/M, 8.40b 12.60d 14.5l, PI	1
25	1013329	(00000000-	) Lever Wldt, Sqge	1
26	1016895	(00000000-	)● Cap, Handle, Sqge Lift	1
27	08712	(00000000-	) Nut, Hex, Lock, M6 X 1.00, NI, Ss	1
28	1042062	(00000000-	) Screw, Hex, M3 X 0.5 X 25, Ss	2
29	41578	(00000000-	) Washer, Flat, 06, Ss	6
30	1012850	(00000000-	) Bracket Wldt, Lever, Sqge	1
31	1034731	(00000000-	) Screw, Hex, M6 X 1.00 X 16, Sems, Ss	2
32	02938	(00000000-	) Washer, Lock, Int, 08, Ss	2
33	579211	(00000000-	) Nut, Hex, Lock, M3 X 0.50, NI, Ss	2
34	1012568	(00000000-	)● Switch, Snap, 10a, Short	1
35	08713	(00000000-	) Nut, Hex, Lock, M8 X 1.25, NI, Ss	1
36	1015459	(00000000-	) Spring, Lever, Sqge	1
37	1016572	(00000000-	) Label, Dir	1
38	579211	(00000000-80002318)	) Nut, Hex, Lock, M3 X 0.50, Ss	2
39	1014572	(00000000-80002318)	)● Gauge, Hourmeter, 14-48vdc, Lcd, Rt.,1hr	1
40	06920	(00000000-80002318)	) Screw, Pan, M3 X 0.50 X 10, 4.8	2
41	43952	(00000000-	) Washer, Lock, Int, 0.31, Ss	1

▽ ASSEMBLY

▲ INCLUDED IN ASSEMBLY

● RECOMMENDED STOCK ITEMS

CONTROL CONSOLE GROUP, BRUSH ASSIST MODEL





CONTROL CONSOLE GROUP, BRUSH ASSIST MODEL

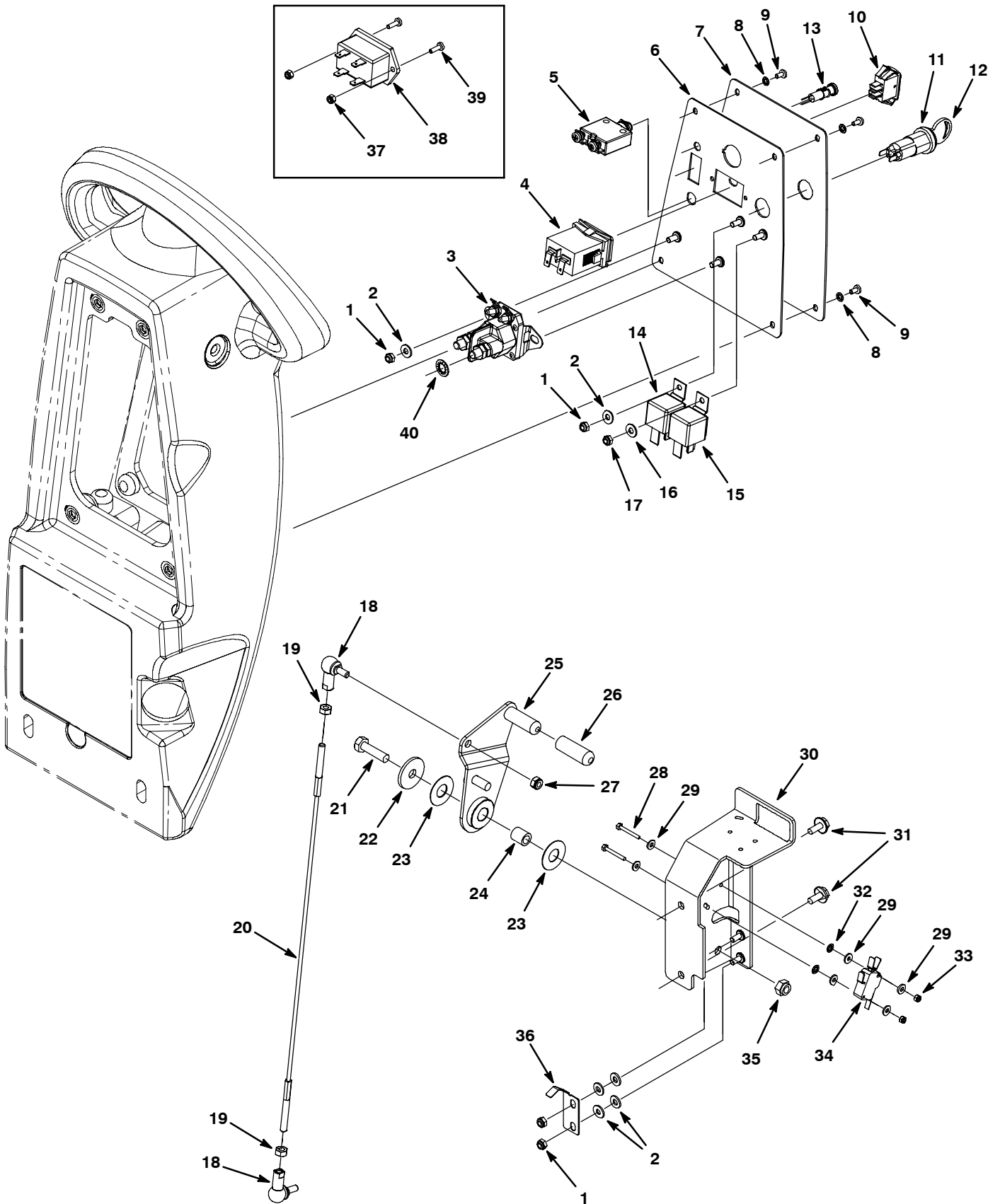
Ref.	Part No.	Serial Number	Description	Qty.
1	1013342	(00000000-	) Shaft, Actuator, Forward / Reverse	1
2	1013363	(00000000-	) Lever Wldt, Bail, Console	1
3	1015578	(00000000-	) Screw, Set, M8 X 1.25 X 8, Ss, NI[Cuppt]	4
4	1018559	(00000000-	) Screw, Set, M6 X 1.00 X 30, Ss [Fltpt]	1
5	630088	(00000000-	) Spring, Tors, Cntr, .072, Pl, Mw	1
6	1013381	(00000000-	) Collar Wldt, Actuator, Console	1
7	1018745	(00000000-	) Housing, Cntrl, Afmkt [T3]	1
8	1016712	(00000000-	)● Indicator, Battery, 24vdc, 1.73volt/Cell	1
9	1011707	(00000000-	) Panel, Cntrl, Upper	1
10	1016755	(00000000-	) Label, Opertnl, Upper, Brush Assist	1
11	140825	(00000000-	) Screw, Pan, Phl, 06 X 0.50, Fmg/Ab, Blk	2
12	579211	(00000000-	) Nut, Hex, Lock, M3 X 0.50, NI, Ss	2
13	09026	(00000000-	) Screw, Hex, M8 X 1.25 X 40, Ss	2
14	1016331	(00000000-	) Washer, Flat, 0.34b 1.25d .11, Ss	2
15	367770	(00000000-	) Screw, Pan, Phl, M6 X 1.00 X 16, Ss	1
16	07515	(00000000-	) Washer, Lock, Int, 0.25, Ss	1
17	1035469	(00000000-	) Fitting, Plstc, Bm12 [Sight Tube]	1
18	48732	(00000000-	) Screw, Pan, Phl, M6 X 1.00 X 10, Ss	2
19	07515	(00000000-	) Washer, Lock, Int, 0.25, Ss	2
20	01684	(00000000-	) Washer, Flat, 0.27b 0.69d .05, Ss	2
21	1013523	(00000000-	)● Stand-Off, Wir, M6, 18 Hex, 20l, Insul	1
22	1054129	(00000000-	) Bracket, Hsng, Cntrl, Alm [T3, Ss3]	1
23	1020341	(00000000-	) Screw, Hex, M8 X 1.25 X 20, Ss, Sems	6
24	1034731	(00000000-	) Screw, Hex, M6 X 1.00 X 16, Sems, Ss	4
∇	25	9006229	(00000000-)● Harness Kit, Main, Push [T3 Na]	1
∇	25	9006227	(00000000-)● Harness Kit, Main, Push [T3 Mid Emc] (Australian Model)	1
▲	26	1016040	(00000000-)● Fuse, Blade, 25a, 32vdc	1
▲	27	1016041	(00000000-)● Fuse, Blade, 30a, 32vdc	1
∇	28	1013644	(00000000-)● Harness [Fast Option] (Fast Model)	1
▲	29	1016039	(00000000-)● Fuse, Blade, 7.5a, 32vdc (Fast Model)	1
∇	28	1045924	(80002319-)● Harness Assy, Wire [T3e Ec-H2o, P3] (ec-H2O Model)	1
▲	29	1047470	(80002319-)● Fuse, 10 Amp (ec-H2O Model)	1
	30	1015570	(00000000-) Bracket, Spring, Balancer, Bail	1
	31	1015826	(00000000-) Plate, Screw, Bail	1
	32	1013705	(00000000-) Plate, Thread, Switch, M3 Nut, 96hr PI	1
	33	1013364	(00000000-) Bracket, Switch, Bail	1
	34	41578	(00000000-) Washer, Flat, 06, Ss	4
	35	02938	(00000000-) Washer, Lock, Int, 08, Ss	2
	36	1012568	(00000000-) Switch, Snap, 10a, Short	1
	37	1042062	(00000000-)● Screw, Hex, M3 X 0.5 X 25, Ss	2

∇ ASSEMBLY

▲ INCLUDED IN ASSEMBLY

● RECOMMENDED STOCK ITEMS

COMPONENT PANEL GROUP, BRUSH ASSIST MODEL



## COMPONENT PANEL GROUP, BRUSH ASSIST MODEL

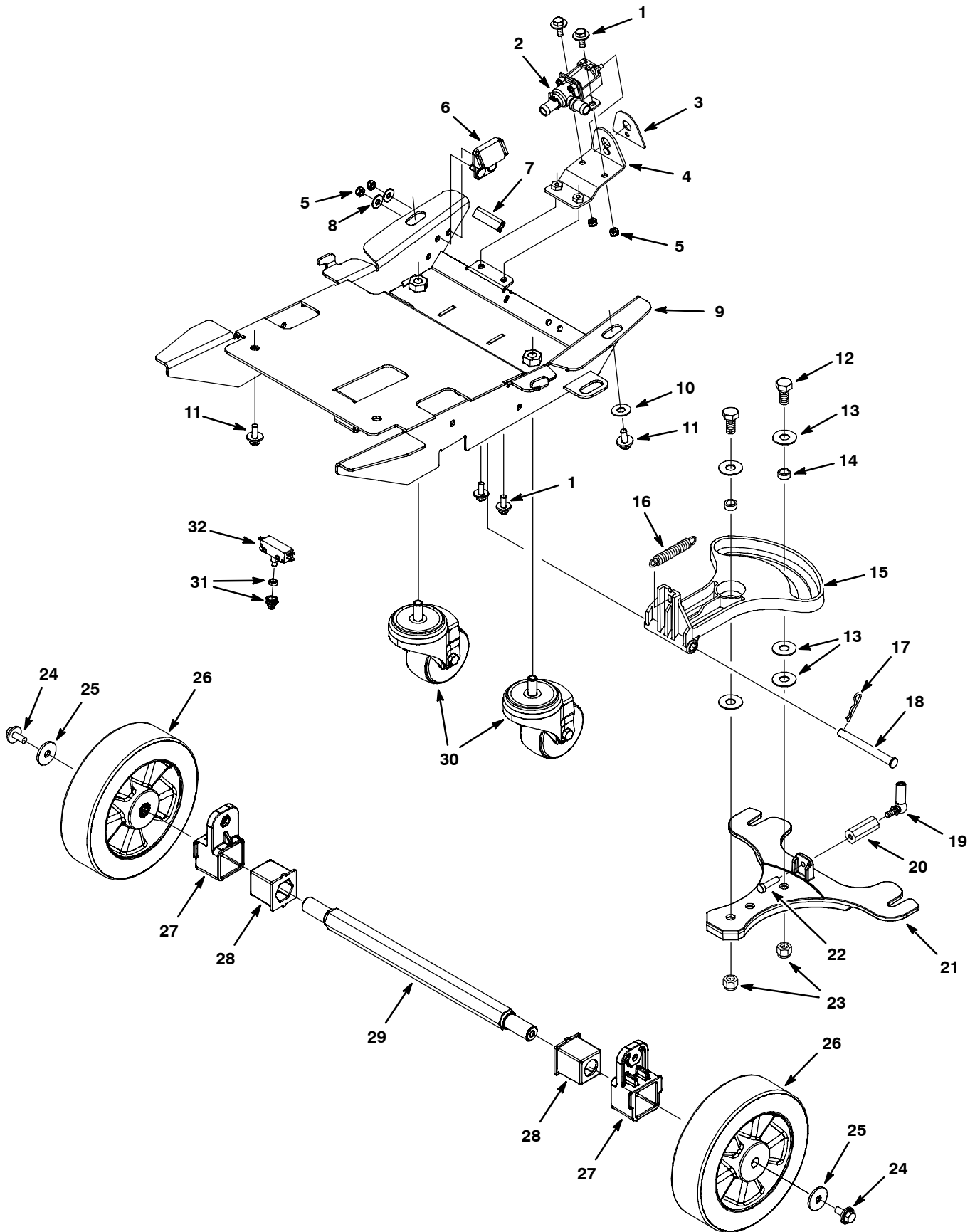
Ref.	Part No.	Serial Number	Description	Qty.	
1	09739	(00000000-	) Nut, Hex, Lock, M5 X 0.80, NI, Ss	5	
2	01683	(00000000-	) Washer, Flat, 10, Ss	7	
3	1038490	(00000000-	)● Relay, 24vdc, 100a, No [Trombetta]	1	
4	1011282	(80002319-	)● Gauge, Hourmeter, 12/60 Vdc [Ret Mount]	1	
5	1035339	(00000000-	)● Circuitbreaker, 37.0a	1	
6	1012134	(00000000-	) Panel, Cntrl, Lower	1	
7	1016628	(00000000-	) Label, Panl, Instmt, Lower [T3/T3e/Ss3]	1	
7	1049998	(80002319-	) Label, Console, Lower Ec-H2o [T3 Na/Aej]	1	
8	02938	(00000000-	) Washer, Lock, Int, 08, Ss	4	
9	49697	(00000000-	) Screw, Pan, Phl, M4 X 0.70 X 10, Ss	4	
10	130787	(00000000-	)● Switch, Rocker, Spdt (Fast & ec-H2O Model)	1	
▽	11	1011402	(00000000-	)● Switch, Key	1
▲	12	1017696	(00000000-	)● Key Set, Replmt [F/ Keyswitch 1011402]	1
13	1041822	(80002319-	)● Light, Panel, Mgt, .312" Dia. (ec-H2O Model)	1	
14	1012216	(00000000-	)● Relay, 24vdc, 070a, Spst No, Plug-In	1	
15	1012216	(00000000-	)● Relay, 24vdc, 070a, Spst No, Plug-In (Fast & ec-H2O Model)	1	
16	01683	(00000000-	) Washer, Flat, 10, Ss (Fast & ec-H2O Model)	1	
17	09739	(00000000-	) Nut, Hex, Lock, M5 X 0.80, NI, Ss (Fast & ec-H2O Model)	1	
18	1044975	(00000000-	) Balljoint, M6 X 1.0 Fem, M6 X 1.0 Mal	2	
19	07785	(00000000-	) Nut, Hex, Std, M6 X 1.00, Ss	2	
20	1013479	(00000000-	) Cable, Glv 3.18mmd 0422l M6/ M6	1	
21	09011	(00000000-	) Screw, Hex, M8 X 1.25 X 30, Ss	1	
22	1016331	(00000000-	) Washer, Flat, 0.34b 1.25d .11, Ss	1	
23	1013397	(00000000-	) Washer, Flat, M13 X 30 X 0.8, Nyl	2	
24	1014336	(00000000-	) Sleeve, P/M, 8.40b 12.60d 14.5l, PI	1	
25	1013329	(00000000-	) Lever Wldt, Sqge	1	
26	1016895	(00000000-	)● Cap, Handle, Sqge Lift	1	
27	08712	(00000000-	) Nut, Hex, Lock, M6 X 1.00, NI, Ss	1	
28	1042062	(00000000-	) Screw, Hex, M3 X 0.5 X 25, Ss	2	
29	41578	(00000000-	) Washer, Flat, 06, Ss	6	
30	1012850	(00000000-	) Bracket Wldt, Lever, Sqge	1	
31	1034731	(00000000-	) Screw, Hex, M6 X 1.00 X 16, Sems, Ss	2	
32	02938	(00000000-	) Washer, Lock, Int, 08, Ss	2	
33	579211	(00000000-	) Nut, Hex, Lock, M3 X 0.50, NI, Ss	2	
34	1012568	(00000000-	)● Switch, Snap, 10a, Short	1	
35	08713	(00000000-	) Nut, Hex, Lock, M8 X 1.25, NI, Ss	1	
36	1015459	(00000000-	) Spring, Lever, Sqge	1	
37	579211	(00000000-80002318	) Nut, Hex, Lock, M3 X 0.50, Ss	2	
38	1014572	(00000000-80002318	)● Gauge, Hourmeter, 14-48vdc, Lcd, Rt,.1hr	1	
39	06920	(00000000-80002318	) Screw, Pan, M3 X 0.50 X 10, 4.8	2	
40	43952	(00000000-	) Washer, Lock, Int, 0.31, Ss	1	

▽ ASSEMBLY

▲ INCLUDED IN ASSEMBLY

● RECOMMENDED STOCK ITEMS

WHEEL GROUP, BRUSH ASSIST MODEL



## WHEEL GROUP, BRUSH ASSIST MODEL

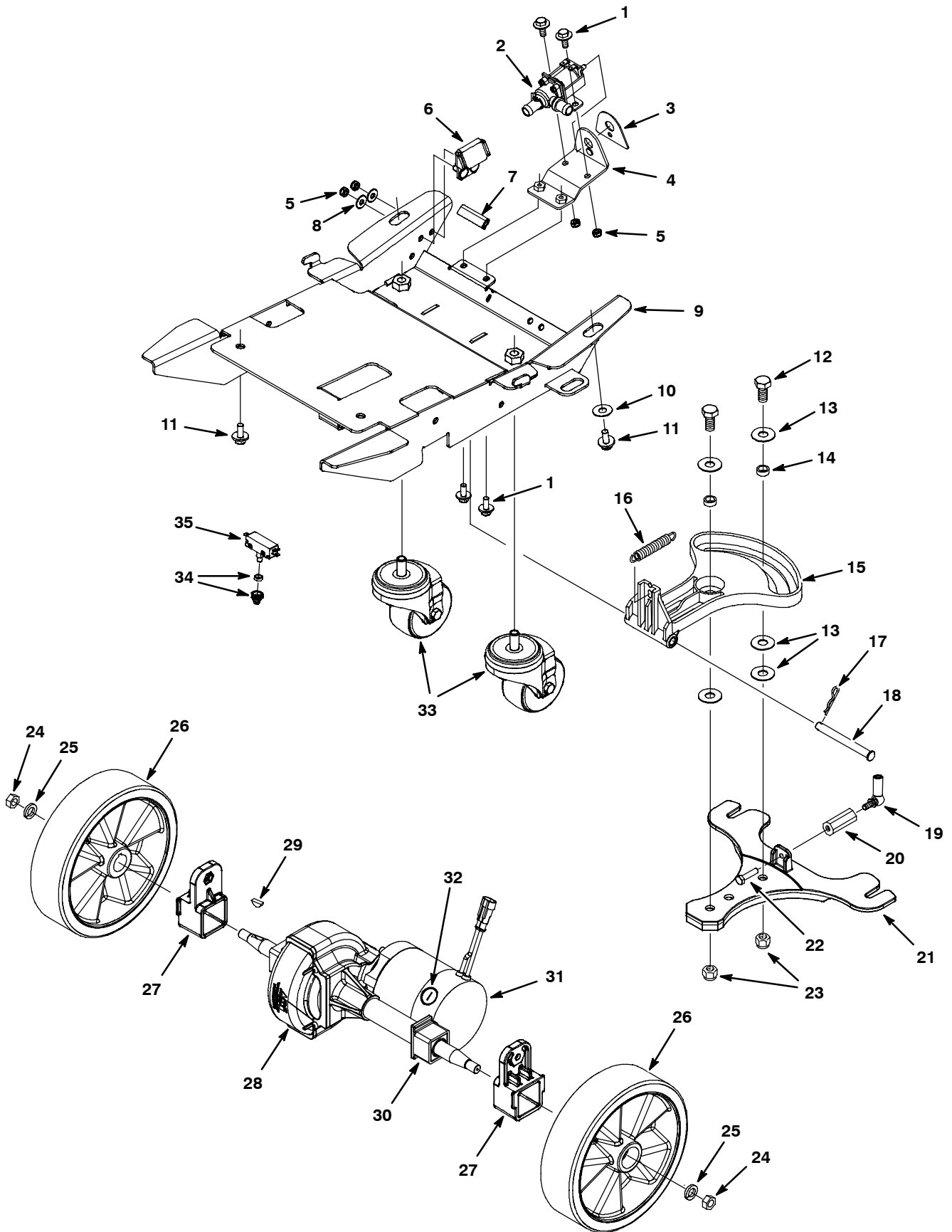
Ref.	Part No.	Serial Number	Description	Qty.
	1	1034731	(00000000- ) Screw, Hex, M6 X 1.00 X 16, Ss, Sems	4
▽	2	1016595	(00000000- )● Valve, 1/4-20 [Liq Dispensing]	1
▲	614265	(00000000- )● Valve Kit, Water [Viton Diaphram]	1	
	3	1014156	(00000000- ) Label, Opertnl, Lower, Soltn Flow	1
	4	1037292	(00000000- ) Bracket, Mtg, Valve, Soltn	1
	5	08712	(00000000- ) Nut, Hex, Lock, M6 X 1.0, Ss, NI	4
	6	1013946	(00000000- ) Bracket, Locking, Pedal, Foot Ylw	1
	7	1034551	(00000000- ) Trim, Plstc, Edge, .12 X .56 X 1.75	1
	8	01684	(00000000- ) Washer, Flat, 0.27b 0.69d .05, Ss	2
	9	1023428	(00000000- ) Frame Wldt, Mach, Blk	1
	10	1016331	(00000000- ) Washer, Flat, 0.34b 1.25d .11, Ss	2
	11	1020341	(00000000- ) Screw, Hex, M8 X 1.25 X 20, Ss, Sems	4
	12	12309	(00000000- ) Screw, Hex, M12 X 1.75 X 30, Ss	2
	13	140045	(00000000- ) Washer, Flat, 0.51b 1.25d .06, Ss	5
	14	1013662	(00000000- ) Bushing, Sleeve, 12mm 16mm 6.5mml, Pm Yw	2
	15	1023389	(00000000- ) Bracket, Sqge, Lift, Mold Blk, Nyl	1
	16	1008721	(00000000- ) Spring, Extn, 0.75od 0.09wir 03.5l	1
	17	44906	(00000000- ) Pin, Cotter, Hair, 0.69d .092 Wir	1
	18	1013610	(00000000- ) Pin, Clevis, 10mmd X 100mml	1
	19	1012747	(00000000- ) Balljoint, M6 X 1.0 Fem, M6 X 1.0 Mal	1
	20	1002078	(00000000- ) Spacer, 0.50hex X 1.25l, M6 Thread	1
	21	1026265	(00000000- ) Bracket, Mtg, Sqge, Cast, Alm	1
	22	1034741	(00000000- ) Screw, Hex, .31-18 X 1.25, Ss, NI	1
	23	09741	(00000000- ) Nut, Hex, Lock, M12 X 1.75, NI, Ss	2
	24	1020341	(00000000- ) Screw, Hex, M8 X 1.25 X 20, Ss, Sems	2
	25	1016331	(00000000- ) Washer, Flat, 0.34b 1.25d .11, Ss	2
	26	1013248	(00000000- )● Wheel, Scrbr, 198.00 Mm With Bearing	2
	27	1028292	(00000000- ) Adapter, Mtg, Axle, Alm	2
	28	1028381	(00000000- ) Grommet, Axle	2
	29	1028382	(00000000- )● Axle, Wheel, Hex, Clr Zn	1
	30	1019008	(00000000- )● Caster, Swivel, 80mmd, M12 X 25 Clr PI	2
	31	1035711	(00000000- )● Boot, Switch, Hex Nut, .38-32 Thd	1
	32	606292	(00000000- )● Switch, Push, Actuator, 20a	1

▽ ASSEMBLY

▲ INCLUDED IN ASSEMBLY

● RECOMMENDED STOCK ITEMS

WHEEL GROUP, DRIVE MODEL (S/N 80001782- )



## WHEEL GROUP, DRIVE MODEL (S/N 80001782- )

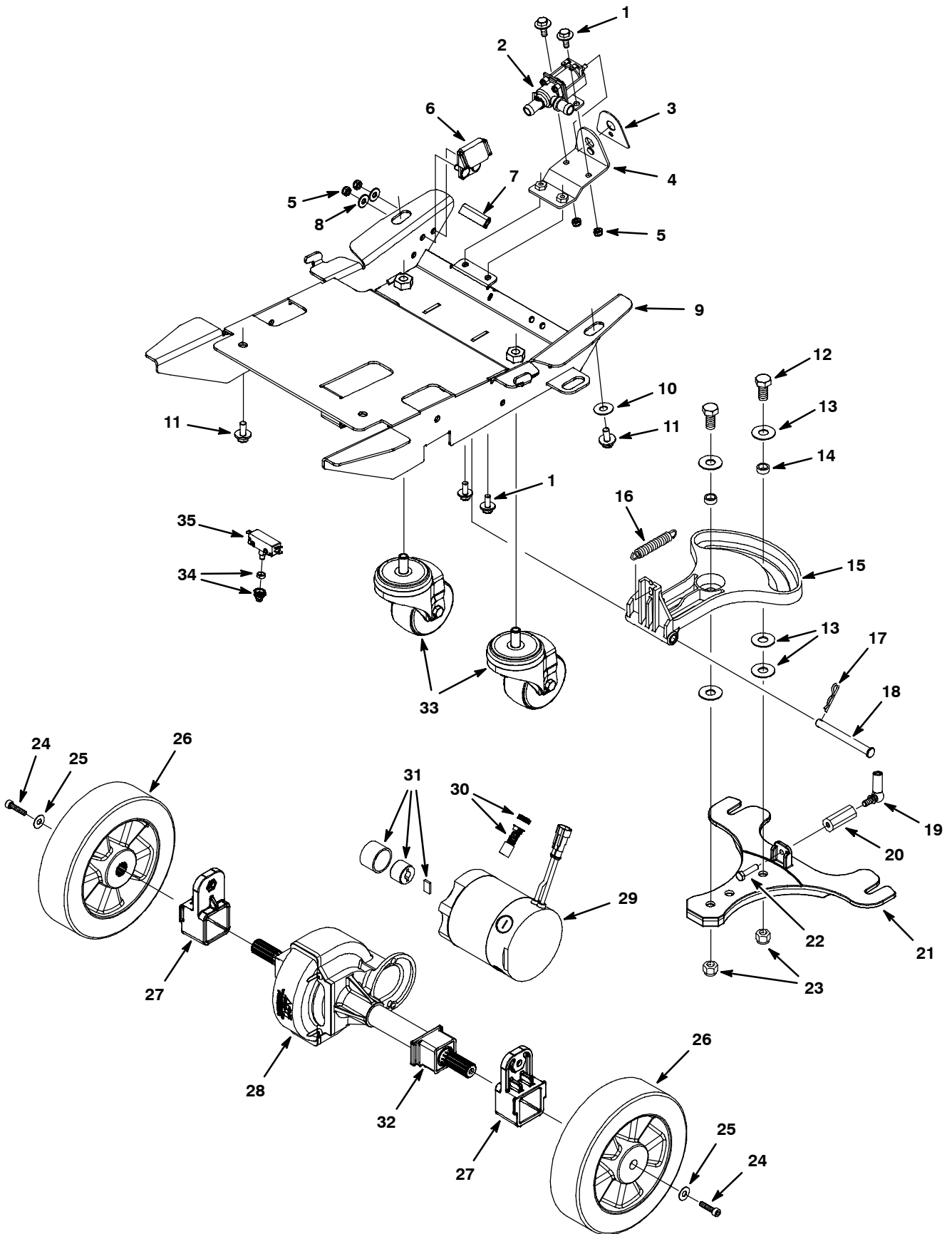
Ref.	Part No.	Serial Number	Description	Qty.
	1	1034731	(00000000- ) Screw, Hex, M6 X 1.00 X 16, Ss, Sems	4
▽	2	1016595	(00000000- )● Valve, 1/4-20 [Liq Dispensing]	1
▲	614265	(00000000- )● Valve Kit, Water [Viton Diaphram]	1	
	3	1014156	(00000000- ) Label, Opertnl, Lower, Soltn Flow	1
	4	1037292	(00000000- ) Bracket, Mtg, Valve, Soltn	1
	5	08712	(00000000- ) Nut, Hex, Lock, M6 X 1.0, Ss, NI	4
	6	1013946	(00000000- ) Bracket, Locking, Pedal, Foot Ylw	1
	7	1034551	(00000000- ) Trim, Plstc, Edge, .12 X .56 X 1.75	1
	8	01684	(00000000- ) Washer, Flat, 0.25 Ss	2
	9	1023428	(00000000- ) Frame Wldt, Mach, Blk	1
	10	1016331	(00000000- ) Washer, Flat, 0.34b 1.25d .11, Ss	2
	11	1020341	(00000000- ) Screw, Hex, M8 X 1.25 X 20, Ss, Sems	4
	12	12309	(00000000- ) Screw, Hex, M12 X 1.75 X 30, Ss	2
	13	140045	(00000000- ) Washer, Flat, 0.51b 1.25d .06, Ss	5
	14	1013662	(00000000- ) Bushing, Sleeve, 12mm 16mm 6.5mml, Pm Yw	2
	15	1023389	(00000000- ) Bracket, Sqge, Lift, Mold Blk, Nyl	1
	16	1008721	(00000000- ) Spring, Extn, 0.75od 0.09wir 03.5l	1
	17	44906	(00000000- ) Pin, Cotter, Hair, 0.69d .092 Wir	1
	18	1013610	(00000000- ) Pin, Clevis, 10mmd X 100mml	1
	19	1012747	(00000000- )● Balljoint, M6 X 1.0 Fem, M6 X 1.0 Mal	1
	20	1002078	(00000000- ) Spacer, 0.50hex X 1.25l, M6 Thread	1
	21	1026265	(00000000- ) Bracket, Mtg, Sqge, Cast, Alm	1
	22	1034741	(00000000- ) Screw, Hex, .31-18 X 1.25, Ss, NI	1
	23	09741	(00000000- ) Nut, Hex, Lock, M12 X 1.75, NI, Ss	2
	24	07788	(80001782- ) Nut, Hex, Std, M12 X 1.75, Ss	2
	25	140024	(80001782- ) Washer, Lock, Split, 0.50, Ss	2
	26	1039655	(80001782- )● Wheel, Scrbr, 198.00mm, W/ Taper [T3]	2
	27	1028292	(00000000- ) Adapter, Mtg, Axle, Alm	2
▽	28	1039475	(80001782- )● Transaxle, Ele, 24vdc, 112rpm, Pkrd,Dfma	1
▲	1017782	(00000000- )● Coupling Kit, Transaxle, Replmt [11057]	1	
▲	29	1021167	(80001782- ) Key, Woodruff, 5mm	2
▲	30	612880	(00000000- )● Sleeve, Transaxle, Replmt	2
▲▽	31	1019916	(00000000- )● Motor, Transaxle, 24vdc, Replmt	1
▲▲	32	614166	(00000000- )● Brush Kit, Carbon [Qty 4]	1
	33	1019008	(00000000- )● Caster, Swivel, 80mmd, M12 X 25 Clr Pl	2
	34	1035711	(00000000- )● Boot, Switch, Hex Nut, .38-32 Thd	1
	35	606292	(00000000- )● Switch, Push, Actuator, 20a	1
	N/S	130773	(00000000- ) Tie, Cable, Nyl, 11.0l, .14w, 3.0 Max. D	4
	N/S	1019397	(00000000- )● Harness, Frame, Drive	1

▽ ASSEMBLY

▲ INCLUDED IN ASSEMBLY

● RECOMMENDED STOCK ITEMS

WHEEL GROUP, DRIVE MODEL (S/N 0000000-80001781)





WHEEL GROUP, DRIVE MODEL (S/N 0000000-80001781)

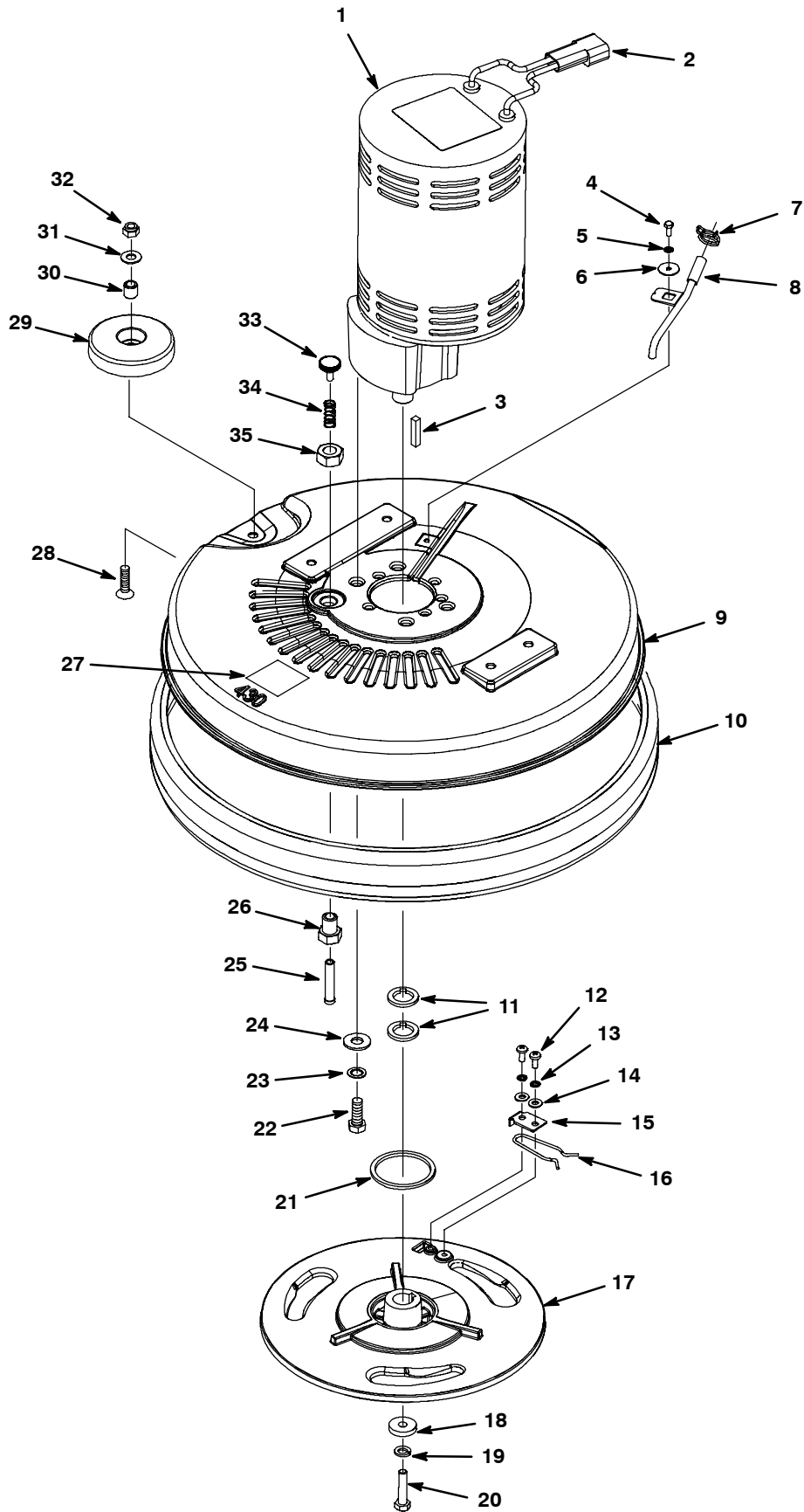
Ref.	Part No.	Serial Number	Description	Qty.
	1	1034731	(00000000-) ) Screw, Hex, M6 X 1.00 X 16, Ss, Sems	4
▽	2	1016595	(00000000-) )● Valve, 1/4-20 [Liq Dispensing]	1
▲	614265	(00000000-) )● Valve Kit, Water [Viton Diaphram]	1	
	3	1014156	(00000000-) ) Label, Opertnl, Lower, Soltn Flow	1
	4	1037292	(00000000-) ) Bracket, Mtg, Valve, Soltn	1
	5	08712	(00000000-) ) Nut, Hex, Lock, M6 X 1.0, Ss, NI	4
	6	1013946	(00000000-) ) Bracket, Locking, Pedal, Foot Ylw	1
	7	1034551	(00000000-) ) Trim, Plstc, Edge, .12 X .56 X 1.75	1
	8	01684	(00000000-) ) Washer, Flat, 0.25 Ss	2
	9	1023428	(00000000-) ) Frame Wldt, Mach, Blk	1
	10	1016331	(00000000-) ) Washer, Flat, 0.34b 1.25d .11, Ss	2
	11	1020341	(00000000-) ) Screw, Hex, M8 X 1.25 X 20, Ss, Sems	4
	12	12309	(00000000-) ) Screw, Hex, M12 X 1.75 X 30, Ss	2
	13	140045	(00000000-) ) Washer, Flat, 0.51b 1.25d .06, Ss	5
	14	1013662	(00000000-) ) Bushing, Sleeve, 12mm 16mm 6.5mml, Pm Yw	2
	15	1023389	(00000000-) ) Bracket, Sqge, Lift, Mold Blk, Nyl	1
	16	1008721	(00000000-) ) Spring, Extn, 0.75od 0.09wir 03.5l	1
	17	44906	(00000000-) ) Pin, Cotter, Hair, 0.69d .092 Wir	1
	18	1013610	(00000000-) ) Pin, Clevis, 10mmd X 100mml	1
	19	1012747	(00000000-) )● Balljoint, M6 X 1.0 Fem, M6 X 1.0 Mal	1
	20	1002078	(00000000-) ) Spacer, 0.50hex X 1.25l, M6 Thread	1
	21	1026265	(00000000-) ) Bracket, Mtg, Sqge, Cast, Alm	1
	22	11329	(00000000-) ) Screw, Hex, M6 X 1.0 X 16, Ss, NI	1
	23	09741	(00000000-) ) Nut, Hex, Lock, M12 X 1.75, NI, Ss	2
	24	1015869	(00000000-80001781) ) Screw, Soc, M6 X 1.0 X 25, Ss, NI	2
	25	200304017	(00000000-80001781) ) Washer, Flat, M6.4b X 13d X 1.6, PI	2
	26	1015079	(00000000-80001781) )● Wheel, Scrbr, 198.00mm [W/ Spline]	2
	27	1028292	(00000000-) ) Adapter, Mtg, Axle, Alm	2
▽	28	1028379	(00000000-80001781) )● Transaxle, Ele, 24vdc, 112rpm, Pkrd,Dfma	1
▲▽	29	1019916	(00000000-) )● Motor, Transaxle, 24vdc, Replmt	1
▲▲	30	614166	(00000000-) )● Brush Kit, Carbon [Qty 4]	1
▲	31	1017782	(00000000-) )● Coupling Kit, Transaxle, Replmt [11057]	1
▲	32	612880	(00000000-) )● Sleeve, Transaxle, Replmt	2
	33	1019008	(00000000-) )● Caster, Swivel, 80mmd, M12 X 25 Clr PI	2
	34	1035711	(00000000-) )● Boot, Switch, Hex Nut, .38-32 Thd	1
	35	606292	(00000000-) )● Switch, Push, Actuator, 20a	1
	N/S	130773	(00000000-) ) Tie, Cable, Nyl, 11.0l, .14w, 3.0 Max. D	4
	N/S	1019397	(00000000-) )● Harness, Frame, Drive	1

▽ ASSEMBLY

▲ INCLUDED IN ASSEMBLY

● RECOMMENDED STOCK ITEMS

SCRUB HEAD GROUP, 43 cm (17 in) MODEL



## SCRUB HEAD GROUP, 43 cm (17 in) MODEL

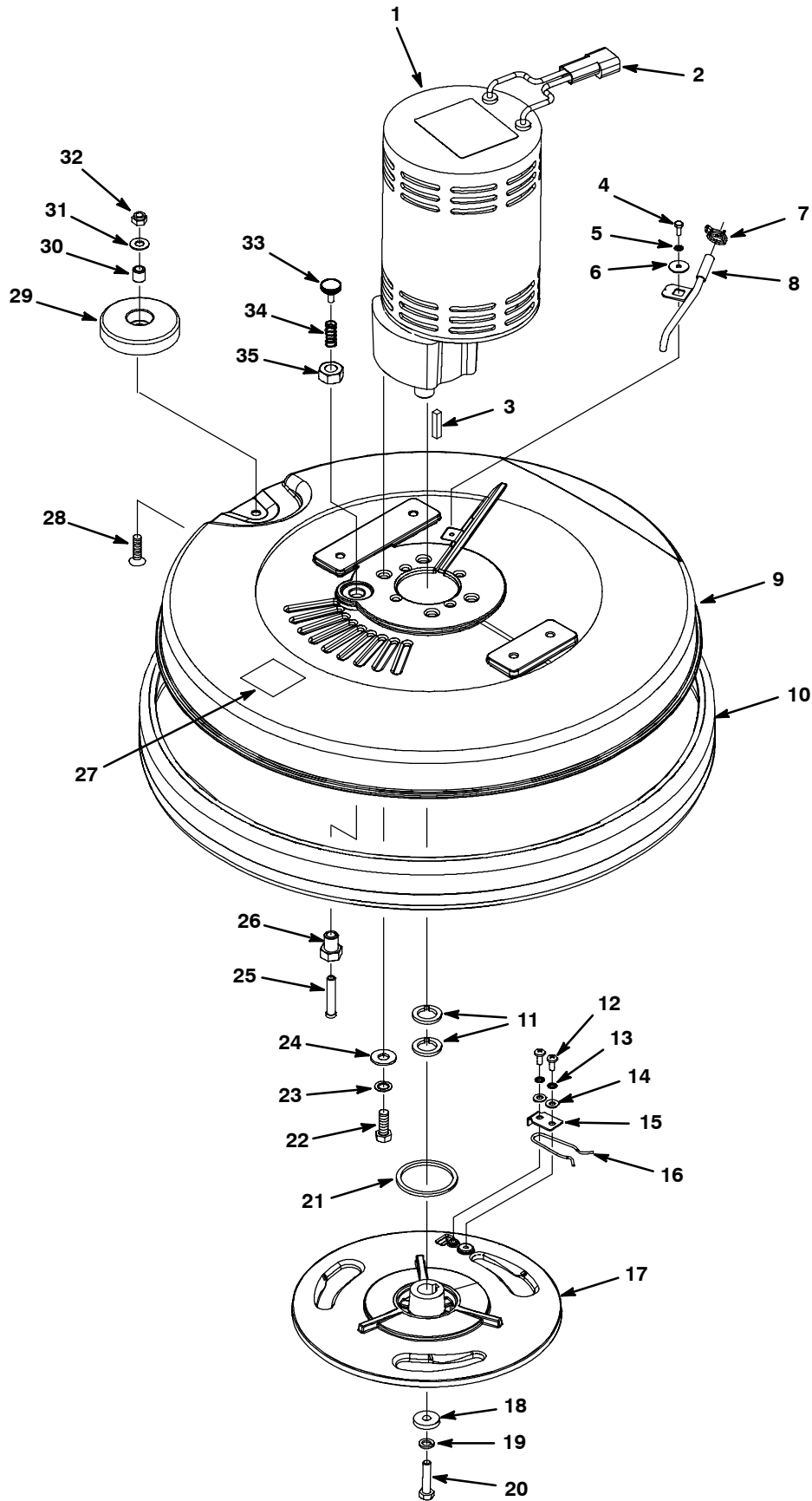
Ref.	Part No.	Serial Number	Description	Qty.
▽	1	1039494	(00000000- ) ● Motor, Ele, 24vdc 0200rpm 1.00hp Gear	1
▲	1	1045790	(00000000- ) ● Brush Kit, Replmt, Carbon 24vdc [4pc = 1kit]	1
▲	2	607798	(00000000- ) ● Terminal Mal Brush Motor Leads	2
▲	2	607801	(00000000- ) ● Clip, Position, Terminal [Packard]	1
	3	00930	(00000000- ) ● Key, Sq, 0.25 X 0.25, 1.50l	1
	4	1020234	(00000000- ) Screw, Hex, M4 X 0.7 X 10, Ss	1
	5	02938	(00000000- ) Washer, Lock, Int, 08, Ss	1
	6	1009168	(00000000- ) Washer, Flat, 0.17b 0.75d .04, Ss	1
	7	607775	(00000000- ) Clamp, Hose, Wir, .63 - .66, Blk	1
	8	1016155	(00000000- ) Tube Wldt, Supply, Water	1
	9	1048186	(00000000- ) Housing, Head, 43cm [Die Cast]	1
	10	1011368	(00000000- ) ● Bumper, Head, 43cm, W/ Bristle Skirt	1
	11	621471	(00000000- ) Spacer, 0.75b 1.12d 0.12l,	2
	12	09200	(00000000- ) Screw, Pan, M5 X 0.8 X 12, Ss	2
	13	07514	(00000000- ) Washer, Lock, Int, #10, Ss	2
	14	01683	(00000000- ) Washer, Flat, 0.22b 0.50d .05, Ss [#10]	2
	15	1011201	(00000000- ) ● Plate, Clamp, Brush	1
	16	1013188	(00000000- ) ● Clip, Spring, Drive Plate Yel PI	1
	17	1036525	(00000000- ) ● Driver, Pad, 3-Lug, Alm, 19.0b[90lbs-Dp]	1
	18	1028796	(00000000- ) Washer, Flat, 0.33b 1.00d .18	1
	19	140015	(00000000- ) Washer, Lock, Split, 0.31, Ss	1
	20	1035038	(00000000- ) Screw, Hex, .31-18 X 1.38, Ss, NI	1
	21	1016426	(00000000- ) Ring, Water, Containment	1
	22	69225	(00000000- ) Screw, Hex, .38-16 X 1.00, Ss	4
	23	43953	(00000000- ) Washer, Lock, Int, 0.38 Ss	4
	24	01686	(00000000- ) Washer, Flat, 0.44b 1.00 .08, Ss	4
	25	1037399	(00000000- ) Pin, Stop, 8.3mmd X 42mml	1
	26	605825	(00000000- ) Screw, Stop, Head Pin	1
	27	578769	(00000000- ) Label, Moving Parts	1
	28	79506	(00000000- ) Screw, Flt, M8 X 1.25 X 30, Ss	1
	29	1010560	(00000000- ) ● Wheel, Bmpr, 80d X 25w, Non-Marking	1
	30	222460	(00000000- ) Sleeve, P/M, 0.31b 0.50d 0.5l	1
	31	140027	(00000000- ) Washer, Flat, 0.35b 0.75d .04, Ss	1
	32	08713	(00000000- ) Nut, Hex, Lock, M8 X 1.25, NI, Ss	1
	33	603012	(00000000- ) ● Knob, Rnd, 19.0d M6 X 12, Stud, Plstc,PI	1
	34	1037400	(00000000- ) Spring, Cmpr, .42od, .04wir, 1.0l, PI,Mw	1
	35	1037470	(00000000- ) Nut, Hex, M14 X 2.00, Ss	1

▽ ASSEMBLY

▲ INCLUDED IN ASSEMBLY

● RECOMMENDED STOCK ITEMS

SCRUB HEAD GROUP, 50 cm (20 in) MODEL



## SCRUB HEAD GROUP, 50 cm (20 in) MODEL

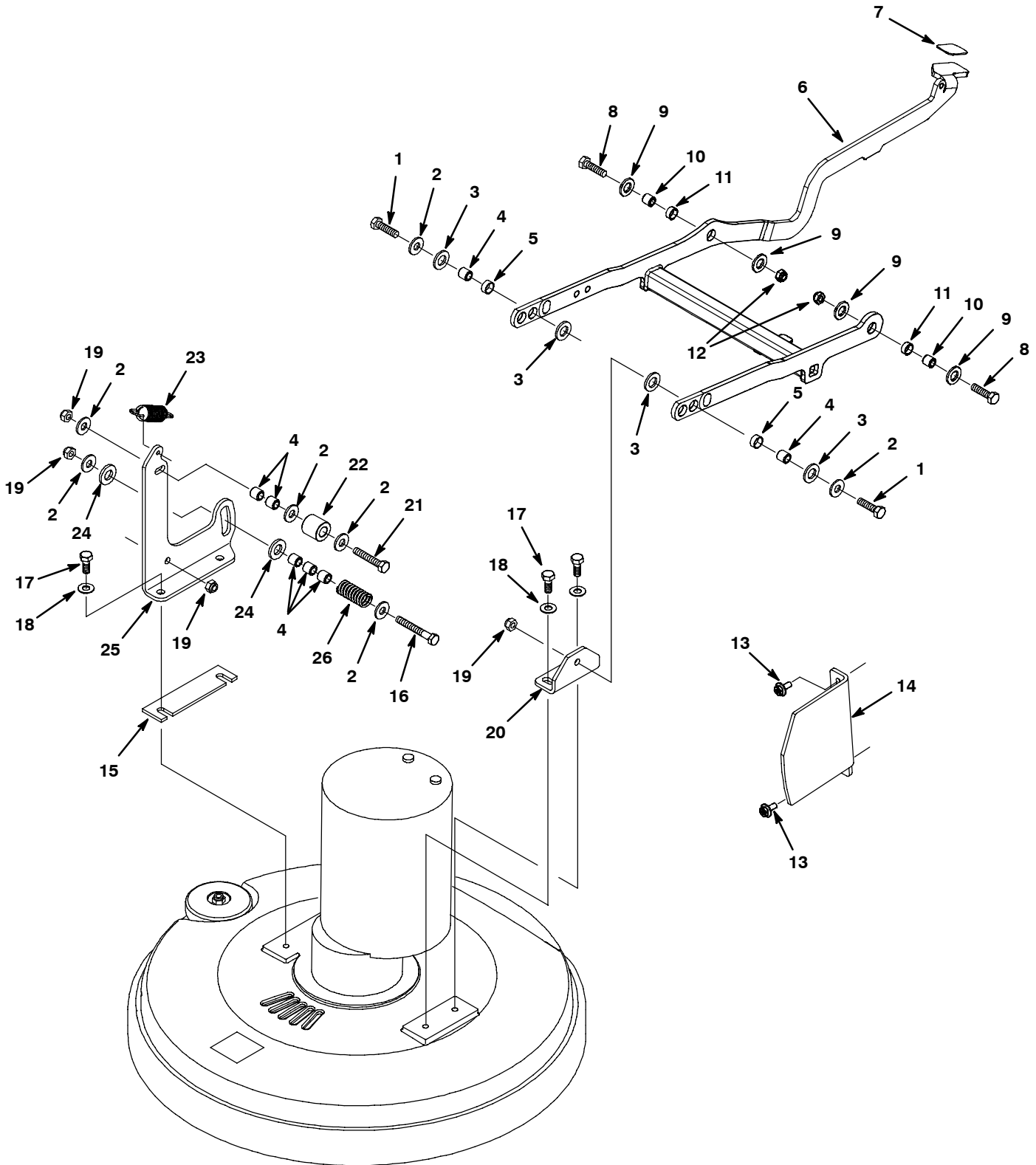
Ref.	Part No.	Serial Number	Description	Qty.
▽	1	1039494	(00000000- ) ● Motor, Ele, 24vdc 0200rpm 1.00hp Gear	1
▲	1	1045790	(00000000- ) ● Brush Kit, Replmt, Carbon 24vdc [4pc = 1kit]	1
▲	2	607798	(00000000- ) ● Terminal Mal Brush Motor Leads	2
▲	2	607801	(00000000- ) ● Clip, Position, Terminal [Packard]	1
	3	00930	(00000000- ) ● Key, Sq, 0.25 X 0.25, 1.50l	1
	4	1020234	(00000000- ) Screw, Hex, M4 X 0.7 X 10, Ss	1
	5	02938	(00000000- ) Washer, Lock, Int, 08, Ss	1
	6	1009168	(00000000- ) Washer, Flat, 0.17b 0.75d .04, Ss	1
	7	607775	(00000000- ) Clamp, Hose, Wir, .63 - .66, Blk	1
	8	1016155	(00000000- ) Tube Wldt, Supply, Water	1
	9	1036813	(00000000- ) Housing, Head, 50cm, Die Cstg	1
	10	1011316	(00000000- ) ● Bumper, Head, W/ Bristle Skirt	1
	11	621471	(00000000- ) Spacer, 0.75b 1.12d 0.12l	2
	12	09200	(00000000- ) Screw, Pan, M5 X 0.8 X 12, Ss	2
	13	07514	(00000000- ) Washer, Lock, Int, #10, Ss	2
	14	01683	(00000000- ) Washer, Flat, 0.22b 0.50d .05, Ss [#10]	2
	15	1011201	(00000000- ) ● Plate, Clamp, Brush	1
	16	1013188	(00000000- ) ● Clip, Spring, Drive Plate Yel PI	1
	17	1036525	(00000000- ) ● Driver, Pad, 3-Lug, Alm, 19.0b[90lbs-Dp]	1
	18	1028796	(00000000- ) Washer, Flat, 0.33b 1.00d .18	1
	19	140015	(00000000- ) Washer, Lock, Split, 0.31, Ss	1
	20	1035038	(00000000- ) Screw, Hex, .31-18 X 1.38, Ss, NI	1
	21	1016426	(00000000- ) Ring, Water, Containment	1
	22	69225	(00000000- ) Screw, Hex, .38-16 X 1.00, Ss	4
	23	43953	(00000000- ) Washer, Lock, Int, 0.38 Ss	4
	24	01686	(00000000- ) Washer, Flat, 0.44b 1.00 .08, Ss	4
	25	1037399	(00000000- ) Pin, Stop, 8.3mmd X 42mml	1
	26	605825	(00000000- ) Screw, Stop, Head Pin	1
	27	578769	(00000000- ) Label, Moving Parts	1
	28	79506	(00000000- ) Screw, Flt, M8 X 1.25 X 30, Ss	1
	29	1010560	(00000000- ) ● Wheel, Bmpr, 80d X 25w, Non-Marking	1
	30	222460	(00000000- ) Sleeve, P/M, 0.31b 0.50d 0.5l	1
	31	140027	(00000000- ) Washer, Flat, 0.35b 0.75d .04, Ss	1
	32	08713	(00000000- ) Nut, Hex, Lock, M8 X 1.25, NI, Ss	1
	33	603012	(00000000- ) ● Knob, Rnd, 19.0d M6 X 12, Stud, Plstc,PI	1
	34	1037400	(00000000- ) Spring, Cmpr, .42od, .04wir, 1.0l, PI,Mw	1
	35	1037470	(00000000- ) Nut, Hex, M14 X 2.00, Ss	1

▽ ASSEMBLY

▲ INCLUDED IN ASSEMBLY

● RECOMMENDED STOCK ITEMS

SCRUB HEAD LIFT GROUP



## SCRUB HEAD LIFT GROUP

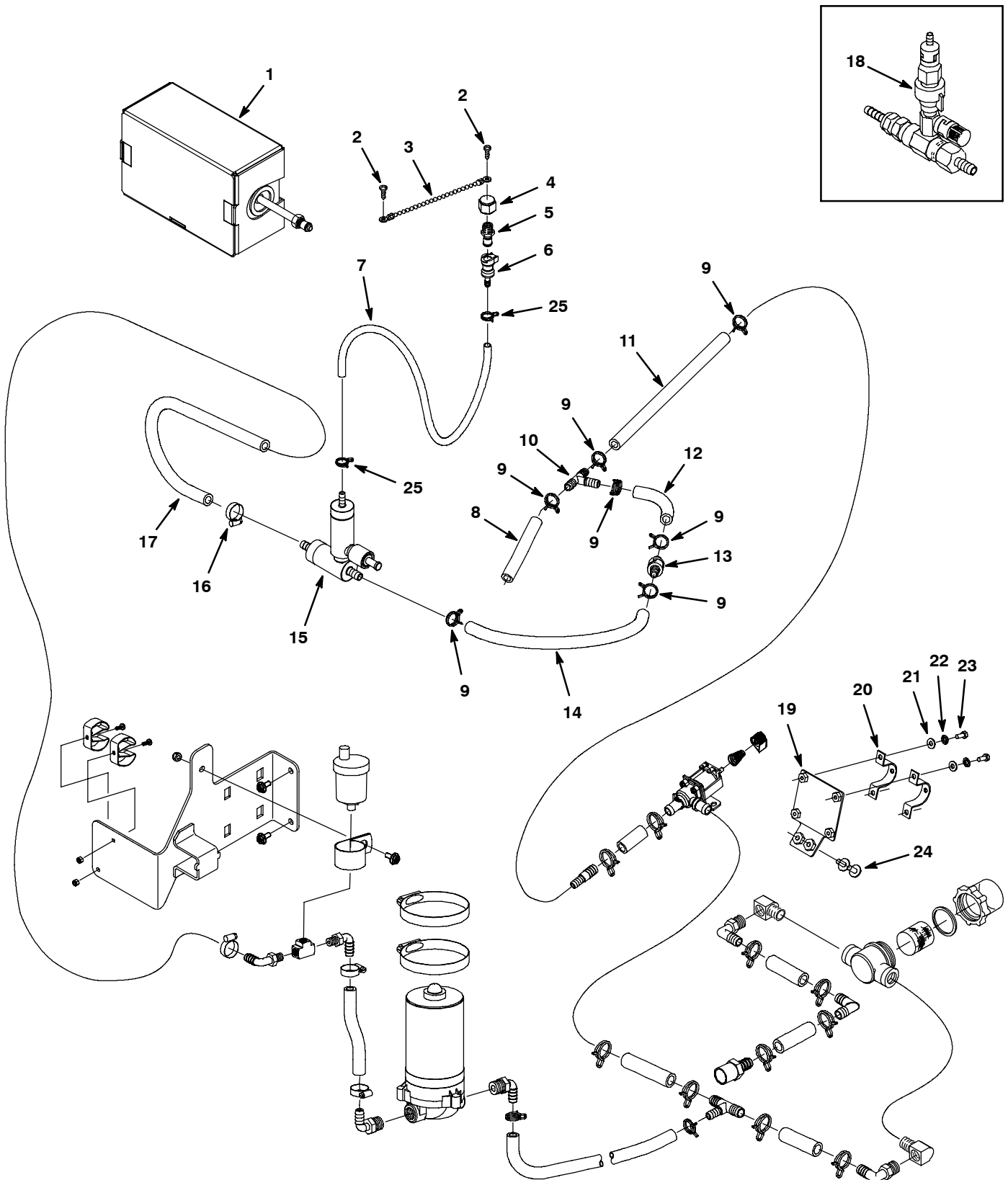
Ref.	Part No.	Serial Number	Description	Qty.	
1	09011	(00000000-	) Screw, Hex, M8 X 1.25 X 30, Ss	2	
2	01685	(00000000-	) Washer, Flat, 0.38b 0.88d .08, Ss	7	
3	1013936	(00000000-	) Washer, Flat, 0.51b 0.94d .10, Nyl	4	
4	222460	(00000000-	) Sleeve, P/M, 0.31b 0.50d 0.5l	7	
5	630188	(00000000-	) Bearing, Journal, .50id X .25l	2	
▽	6	1037297	(00000000-	) Lift Assy, Head, Sngl Disk, Aftmkt	1
▲	7	1014283	(00000000-	)● Pad, Adh, Non-Slip, 28mm X 36mm, Blk	1
▲	8	09011	(00000000-	) Screw, Hex, M8 X 1.25 X 30, Ss	2
▲	9	1013936	(00000000-	) Washer, Flat, 0.51b 0.94d .10, Nyl	4
▲	10	222460	(00000000-	) Sleeve, P/M, 0.31b 0.50d 0.5l	2
▲	11	630188	(00000000-	) Bearing, Journal, .50id X .25l	2
▲	12	08713	(00000000-	) Nut, Hex, Lock, M8 X 1.25, NI, Ss	2
	13	1034731	(00000000-	) Screw, Hex, M6 X 1.00 X 16, Sems, Ss	2
	14	1015460	(00000000-	) Bracket, Guide, Head, [43cm]	1
	14	1012484	(00000000-	) Bracket, Guide, Head, [50cm]	1
	15	1032791	(00000000-	) Spacer, Head, 4mm (Brush Assist Model Only)	1
	16	1014163	(00000000-	) Screw, Hex, M8 X 1.25 X 60, FI, Ss	1
	17	12333	(00000000-	) Screw, Hex, M8 X 1.25 X 25, Ss, NI	4
	18	69461	(00000000-	) Washer, Flat, 0.38b 0.88d .12, Stl, PI	4
	19	08713	(00000000-	) Nut, Hex, Lock, M8 X 1.25, NI, Ss	4
	20	1015470	(00000000-	) Bracket, Mtg, Head	1
	21	222505	(00000000-	) Screw, Hex, M8 X 1.25 X 45, Ss	1
	22	1014020	(00000000-	)● Roller, Lift, Dual Disk Head	1
	23	1032420	(00000000-	) Spring, Extn, 0.85od 0.09wir 02.9l (43cm Model)	1
	23	1031776	(00000000-	) Spring, Extn, 0.75od 0.09wir 03.2l (50cm Model)	1
	24	140127	(00000000-	) Bearing, Thrust, 0.51b X 1.0 X .12, Brz	2
	25	1012323	(00000000-	) Bracket, Mtg, Head, Rh	1
	26	140430	(00000000-	) Spring, Cmpr, .72od X 1.69 L	1
	N/S	130773	(00000000-	) Tie, Cable, Nyl, 11.0l, .14w, 3.0 Max. D	1

▽ ASSEMBLY

▲ INCLUDED IN ASSEMBLY

● RECOMMENDED STOCK ITEMS

SOLUTION GROUP, FaST MODEL





## SOLUTION GROUP, FaST MODEL

Ref.	Part No.	Serial Number	Description	Qty.
1	1017019	(00000000-	)● Detergent Pkg, 2 Liter, Sgl [Mp]	1
1	1017025	(00000000-	)● Detergent Pkg, 2 Liter, Sgl [Mpd]	1
2	1018155	(00000000-	) Screw, Pan, M5 X 0.8 X16, Ss, Tcut	2
3	621443	(00000000-	) Chain, Ball, #10, 157mml, Ss	1
4	1005435	(00000000-	) Fitting, Plstc, Cap, Pf04, Pipe	1
5	1002899	(00000000-	) Fitting, Plstc, Str, Pm04, Cplg, Mal	1
6	1002898	(00000000-	)● Fitting, Plstc, Str, Bm04, Cplg, Fem	1
7	613947	(00000000-	) Hose, Clr, 0.25id 26.0l	1
8	613446	(00000000-	) Hose 3/8idx5/8od Clear 611254 Ft 0.833	1
9	607775	(00000000-	) Clamp, Hose, Wir, .63 - .66, Blk	7
10	160310	(00000000-	) Fitting, Plstc, Tee, Bm06/Bm06/Bm06	1
11	613451	(00000000-	) Hose 3/8idx5/8od Clear 611254 Ft 1.000	1
12	606362	(00000000-	) Hose 3/8idx5/8odx6.5 (611254)	1
13	1015455	(00000000-	)● Valve, Check, 0005psi Bm06/Bm06	1
14	613442	(00000000-	) Hose 3/8idx5/8od Clear 611254 Ft 1.292	1
15	9003906	(80001391-	)● Fast Kit, Injector, Ci [T3/Ss3 Fast li+] (See Breakdowns)	1
16	54333	(00000000-	) Clamp, Hose, Wormdrive, 0.31-0.88d, .31w	1
17	613722	(00000000-	) Hose .38 Id X 21" Pvc Braided	1
18	9003801	(00000000-80001390	)● Fast Kit, Conv, Ci [T3/Ss3 Fast li+] (See Breakdowns)	1
19	1029533	(00000000-	) Bracket, Mtg, Fltr	1
20	605056	(00000000-	) Bracket, Mtg, Fltr	2
21	01683	(00000000-	) Washer, Flat, #10, Ss	4
22	07514	(00000000-	) Washer, Lock, Int, #10, Ss	4
23	09738	(00000000-	) Screw, Hex, M5 X 0.8 X 12, Ss	4
24	1034731	(00000000-	) Screw, Hex, M6 X 1.00 X 16, Ss, Sems	2
25	613735	(00000000-	) Clamp, Hose, Wir, .40 - .42, Yel	2

## ● RECOMMENDED STOCK ITEMS



## SOLUTION GROUP, FaST MODEL, CONT'D

Ref.	Part No.	Serial Number	Description	Qty.
1	573073	(80001391-	) Clip, Grip, Hose, 1.00-1.38, Zn	2
2	49697	(00000000-	) Screw, Pan, M4 X 0.7 X 10, Ss	2
3	08712	(00000000-	) Nut, Hex, Lock, M6 X 1.0, Ss, NI	1
4	1037242	(80001391-	) Bracket Wldt, Mtg, Pump [Fast li+]	1
5	1034731	(00000000-	) Screw, Hex, M6 X 1.00 X 16, Sems, Ss	2
6	33932	(00000000-	) Nut, Hex, Lock, M4 X 0.7, NI, Ss	2
7	1034731	(00000000-	)● Screw, Hex, M6 X 1.00 X 16, Sems, Ss	1
8	1017386	(00000000-	)● Valve, Air Vent, Float Type	1
9	53466	(00000000-	) Clamp, Cable, Stl, 1.50d X 1.00w, 1h	1
10	1020273	(00000000-80001390	) Bracket Wldt, Mtg, Pump [Fast]	1
11	1014295	(00000000-80001390	) Clip, Grip, Hose, 0.75-1.12, Blk Vyl, Stl	2
12	54333	(00000000-	) Clamp, Hose, Wormdrive, 0.31-0.88d, .31w	3
13	1005564	(00000000-	) Fitting, Plstc, E90, Bm06/Pm02, Nyl	2
14	150705	(00000000-	) Fitting, Brs, Tee, Pf02/Pf02/Pf02	1
15	613724	(00000000-	) Hose .38 Id X 10" Pvc Braided	1
16	1005630	(00000000-	) Fitting, Plstc, E90, Bm06/Pm06, Nyl	2
17	43555	(00000000-	) Clamp, Hose, Wormdrive, 2.50-3.50d, .50w	2
18	1014282	(00000000-	)● Pump, Soltn, Ele, 24vdc, 60psi, Packard	1
19	607775	(00000000-	) Clamp, Hose, Wir, .63 - .66, Blk	2
20	613450	(00000000-	) Hose 3/8idx5/8od Clear 611254 Ft 2.000	1
21	1023581	(00000000-	) Fitting, Plstc, Str, Bm08/Pm08, Nyl	1
22	607776	(00000000-	)● Clamp, Hose, Wir, .73 - .77, Silver	10
23	613514	(00000000-	) Tube, 0.50id X 0.75od Vyl 0.34ft[611259]	1
24	630372	(00000000-	) Fitting, Plstc, Tee, Bm06/Bm08/Bm08, Br	1
25	140957	(00000000-	) Hose, Vyl, Clr, .50id .75od 2.5l (611259)	1
26	1017532	(00000000-	) Fitting, Plstc, E90, Bm08/Pm06	2
27	150420	(00000000-	) Fitting, Brs, E90, Pf06/Pm06 [Taped]	2
28	140957	(00000000-	) Hose, Pvc, Clr, 0.50id 0.75od 002.5l	2
▽	29	1005302	(00000000-)● Filter, In-Line, Pf06/Pf06, 80 Mesh	1
▲	30	613993	(00000000-)● Housing, Top, F/1005302	1
▲	31	1005304	(00000000-)● Screen, Fltr, 80 Mesh	1
▲	32	613992	(00000000-)● Gasket [Viton, F/1005302]	1
▲	33	613991	(00000000-)● Bowl, Clr, Short, F/1005302	1
	34	612774	(00000000-) Fitting, Plstc, Str, Bm06/Bm08	1
	35	1015071	(00000000-) Hose, Afmkt, Pvc, Clr 0.50id 01ft	1
▽	36	1016595	(00000000-)● Valve, 1/4-20 [Liq Dispensing]	1
▲		614265	(00000000-)● Valve Kit, Water [Viton Diaphragm]	1
	37	1017091	(00000000-)● Spring, Cmpr, .48d, .036w, .75l	1
	38	1013442	(00000000-)● Knob, Valve, Indicator, Blk	1
	39	63987-1	(00000000-) Fitting, Plstc, E90, Bm08/Bm08	1
N/S	130773	(00000000-	) Tie, Cable, Nyl, 11.0l, .14w, 3.0 Max. D	2

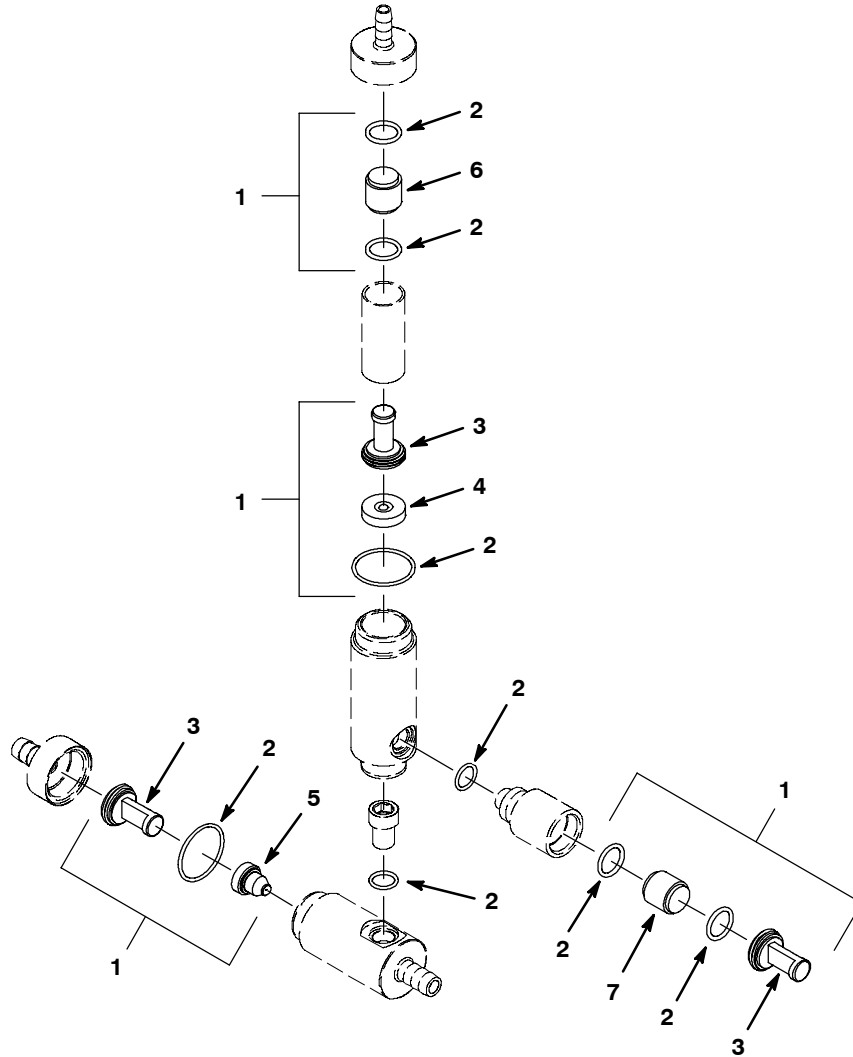
▽ ASSEMBLY

▲ INCLUDED IN ASSEMBLY

● RECOMMENDED STOCK ITEMS

# STANDARD PARTS

## 9003906 FAST INJECTOR ASSEMBLY BREAKDOWN (S/N 80001391- )



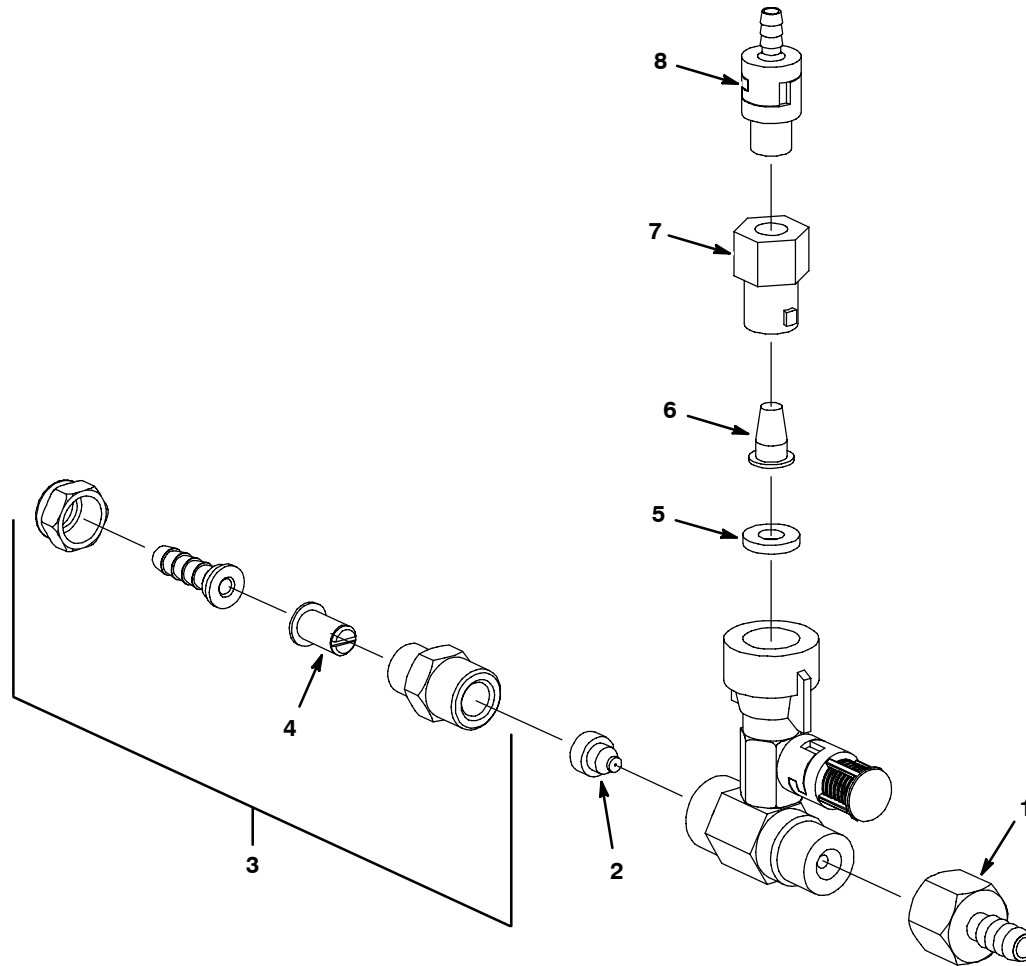
Ref.	Part No.	Serial Number	Description	Qty.
▽	9003906	(80001391-	● Fast Kit, Injector, Ci [T3/Ss3 Fast li+]	1
▲	1	9003802	(80001391-) ● FaST Kit, Ci, Injector Rebuild [FaST II+]	1
▲	2	9003008	(80001391-) ● FaST Kit, Ci, Injector Seals [FaST II+]	1
▲	3	9003009	(80001391-) ● FaST Kit, Ci, Injector Filters [FaST II+]	1
▲	4	1039974	(80001391-) ) Plate Assy, Orifice, 0.0065ld, Blk	1
▲	5	1039988	(80001391-) ) Orifice, Plug, .027	1
▲	6	1030444	(80001391-) ) Valve, Check, 0002psi, White, [FaST II+]	1
▲	7	1030441	(80001391-) ) Valve, Check, 0005psi, Brown, [FaST II+]	1

▽ ASSEMBLY

▲ INCLUDED IN ASSEMBLY

● RECOMMENDED STOCK ITEMS

9003801 FAST INJECTOR ASSEMBLY BREAKDOWN (S/N 0000000-80001390)



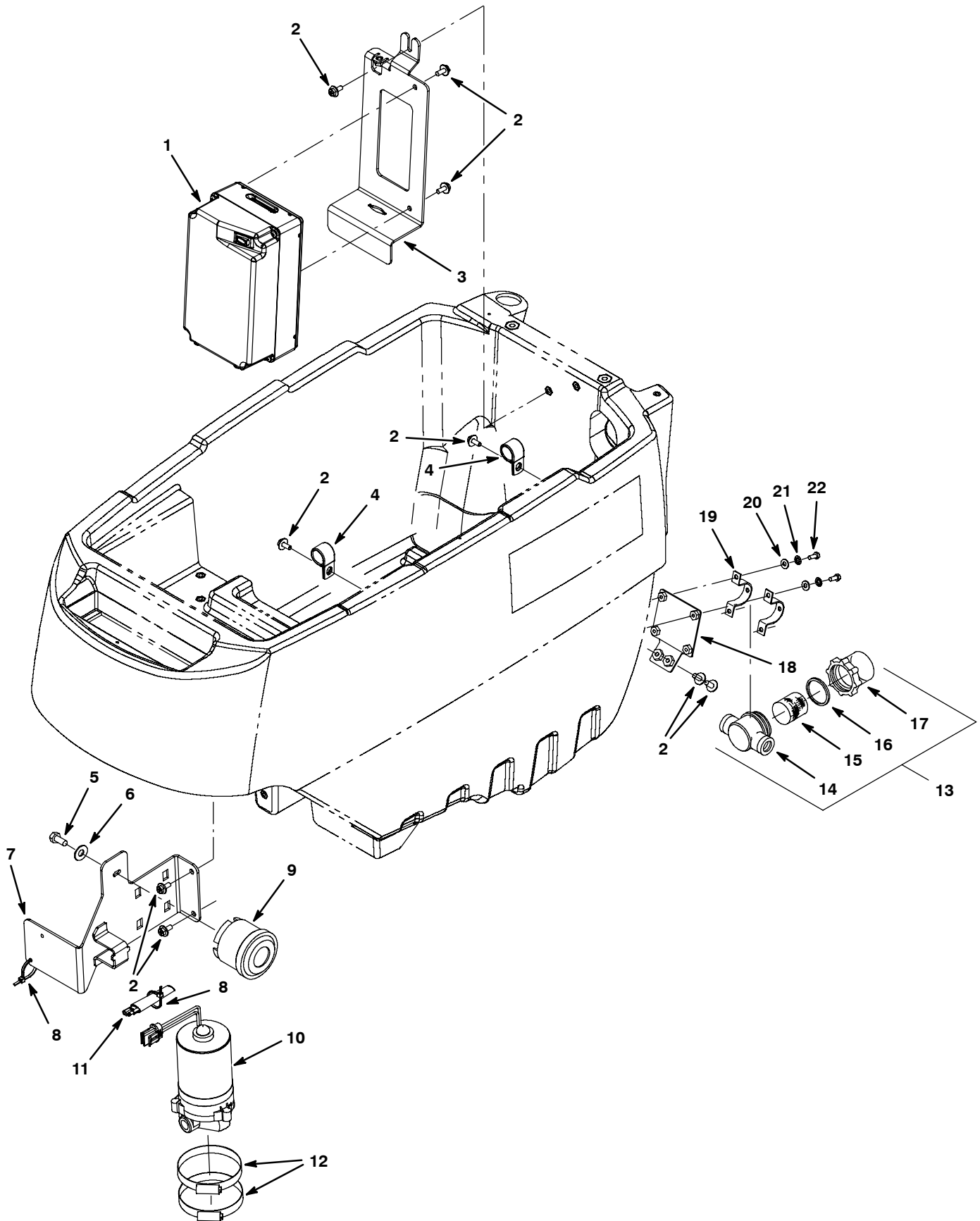
Ref.	Part No.	Serial Number	Description	Qty.
▽	9003801	(00000000-80001390 )	Fast Kit, Conv, Ci [T3/Ss3 Fast li+]	1
▲	1	1014276	(00000000-80001390 ) Fitting, Brs, Str, Bm06/Pf08	1
▲	2	1014470	(00000000-80001390 )● Plug, Orifice, 0.022	1
▲▽	3	1013411	(00000000-80001390 )● Filter Assy, 50 Mesh	1
▲▲	4	1006447	(00000000-80001390 )● Vr, Filter, Screen, 050 Mesh .59D .8L Ss	1
▲	5	1039974	(00000000-80001390 )● Plate Assy, Orfice, 0.0065ld, Blk	1
▲	6	1029355	(00000000-80001390 )● Vr, Filter, Screen, 200 Mesh .59D .8L Ss	1
▲	7	1005507	(00000000-80001390 ) Fitting, Plstc, Body, Spray, Pf04	1
▲	8	1014254	(00000000-80001390 )● Valve, Check, 0002psi Bm04/Pm04	1

▽ ASSEMBLY

▲ INCLUDED IN ASSEMBLY

● RECOMMENDED STOCK ITEMS

SOLUTION GROUP, ec-H2O MODEL



## SOLUTION GROUP, ec-H2O MODEL

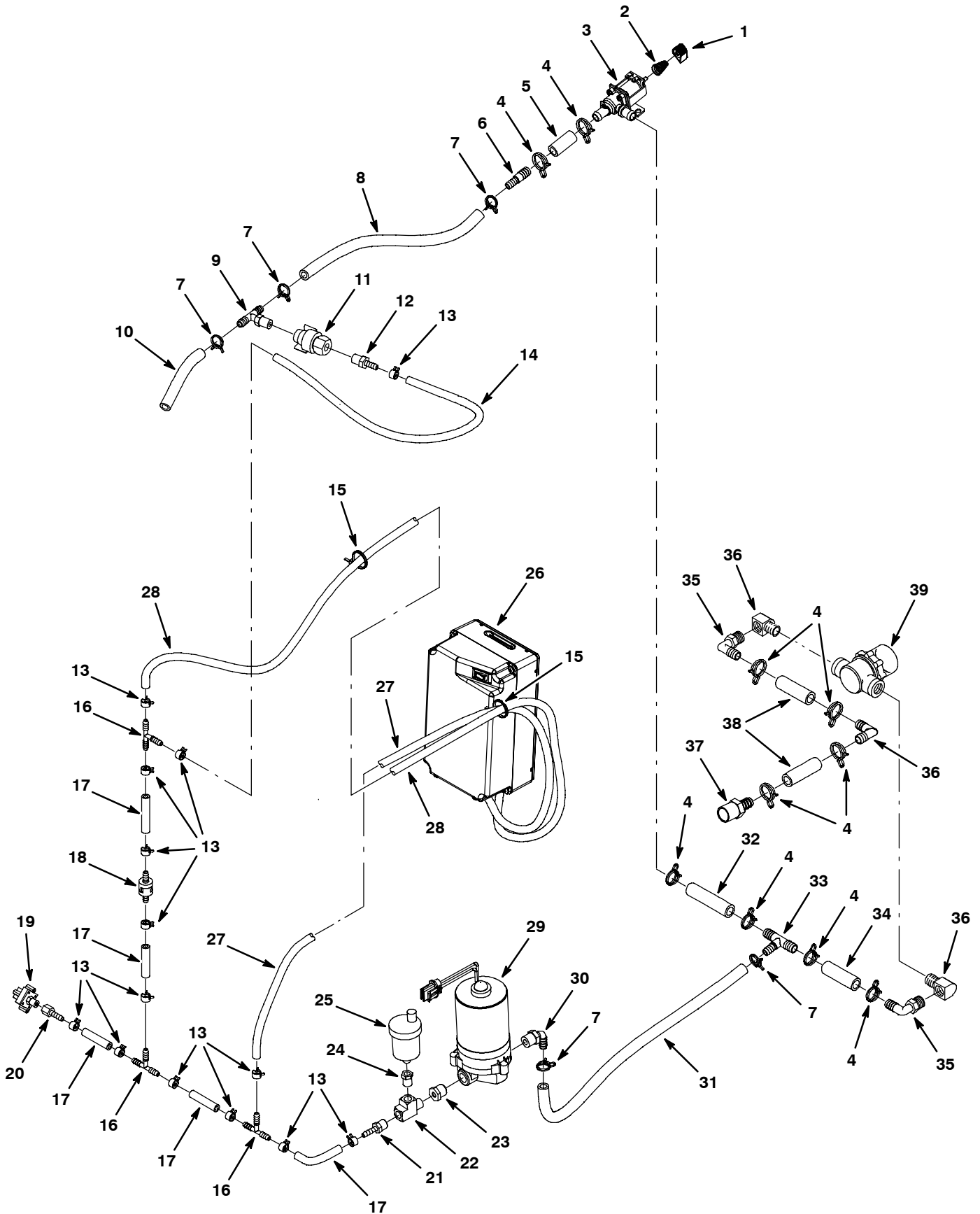
Ref.	Part No.	Serial Number	Description	Qty.
1	9006161	(80002319-	)● Module Kit, Replmt [Ec-H2o]	1
2	1034731	(00000000-	) Screw, Hex, M6 X 1.00 X 16, Ss, Sems	9
3	1045961	(80002319-	) Bracket, Mtg, Chrgr [Ss3/T3e Ec-H2o]	1
4	140314	(80002319-	) Clamp, Cable, Stl, 0.75d X 0.75w, 1hole	2
5	11635	(80002319-	) Screw, Hex, M6 X 1.00 X 12, NI, Ss	1
6	01684	(80002319-	) Washer, Flat, 0.27b 0.69d .05, Ss	1
7	1037242	(00000000-	) Bracket Wldt, Mtg, Pump [Fast li+]	1
8	130773	(00000000-	) Tie, Cable, Nyl, 11.0l, .14w, 3.0 Max. D	2
9	392937	(80002319-	)● Horn, 12-48vdc [94 Decibels]	1
▽	10	1042495	(80002319-)● Pump, Soltn, Ele, 24vdc, 35psi	1
▲		9004759	(80002319-)● Pump Kit, Head, Soltn [Ec-H2o]	1
▲		78950	(00000000-)● Connector, Fem, 2cav, Mp280 Sealed	1
▲		78951	(00000000-)● Terminal, Fem, Mp280, Sealed, 18-16ga	1
▲		10917	(00000000-)● Seal, Wire, 14/16ga [Wp / Mp280 Sealed]	1
▲		78952	(00000000-)● Lock, Secondary, 2cav, Mp280 Sealed	1
	11	1040868	(80002319-)● Capacitor, Plug [.01 Uf, 200v]	1
	12	43555	(00000000-) Clamp, Hose, Wormdrive, 2.50-3.50d, .50w	3
▽	13	1005302	(00000000-)● Filter, In-Line, Pf06/Pf06 080mesh 02.6l	1
▲	14	613993	(00000000-)● Housing, Top, F/1005302	1
▲	15	1005304	(00000000-)● Screen, Fltr, 80 Mesh, Ss	1
▲	16	613992	(00000000-)● Gasket [Viton, F/1005302]	1
▲	17	613991	(00000000-)● Bowl, Clr, Short, F/1005302	1
	18	1029533	(00000000-) Bracket, Mtg, Fltr	1
	19	605056	(00000000-) Bracket, Mtg, Fltr	2
	20	01683	(00000000-) Washer, Flat, 10, Ss	4
	21	07514	(00000000-) Washer, Lock, Int, 10, Ss	4
	22	09738	(00000000-) Screw, Hex, M5 X 0.80 X 12, Ss	4

▽ ASSEMBLY

▲ INCLUDED IN ASSEMBLY

● RECOMMENDED STOCK ITEMS

SOLUTION GROUP, ec-H2O MODEL - CONT'D





## SOLUTION GROUP, ec-H2O MODEL - CONT'D

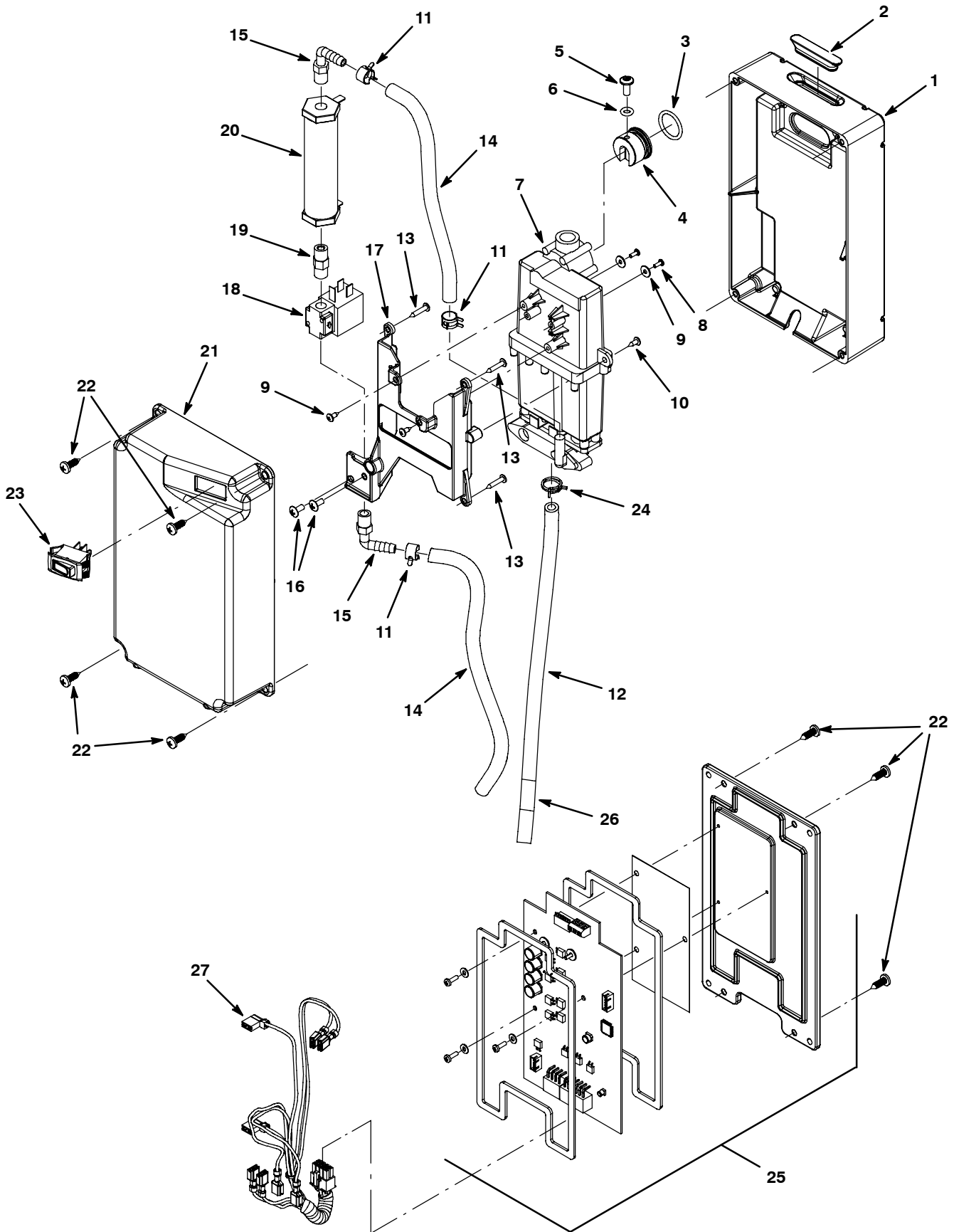
Ref.	Part No.	Serial Number	Description	Qty.	
1	1013442	(00000000-	)● Knob, Valve, Indicator, Blk	1	
2	1017091	(00000000-	)● Spring, Cmpr, 0.50od .04wir 00.8l	1	
▽	3	1016595	(00000000-	)● Valve, .25-20 [Liq Dispensing]	1
▲	614265	(00000000-	)● Valve Kit, Water [Viton Diaphragm]	1	
4	607776	(00000000-	) Clamp, Hose, Wir, .73 - .77, Silver	10	
5	1015071	(00000000-	) Hose, Afmkt, Pvc, Clr, 0.50id, 01ft	1	
6	612774	(00000000-	) Fitting, Plstc, Str, Bm06/Bm08	1	
7	607775	(00000000-	) Clamp, Hose, Wir, .63 - .66, Blk	5	
8	613451	(00000000-	) Hose, Pyu, Clr, 0.38id 0.62od 012.0l	1	
9	1017340	(80002319-	) Fitting, Plstc, Tee, Bm06/Bm06/Pm04, Br	1	
10	613446	(00000000-	) Hose, Pyu, Clr, 0.38id 0.62od 010.0l	1	
11	1043866	(80002319-	) Fitting Assy, Qd, Pf04	1	
12	50901	(00000000-	) Fitting, Plstc, Str, Bm04/Pm04	1	
13	603654	(80002319-	) Clamp, Hose, Ear, .44d [Ctb]	14	
14	578820000	(80002319-	) Hose, Pvc, Brd, 0.25id 0.44od 157.2l,Clr	1	
15	130773	(80002319-	) Tie, Cable, Nyl, 11.0l, .14w, 3.0 Max. D	2	
16	150713	(80002319-	) Fitting, Plstc, Tee, Bm04/Bm04/Bm04	3	
17	578820000	(80002319-	) Hose, Pvc, Brd, 0.25id 0.44od 157.2l,Clr	1	
18	1044334	(80002319-	)● Valve, Check, 0017psi Bm04/Bm04	1	
19	1044335	(80002319-	)● Switch, Press, 6psi, Pm02	1	
20	150520	(80002319-	) Fitting, Brs, Str, Bm04/Pf02	1	
21	150515	(80002319-	) Fitting, Brs, Str, Bm04/Pm04 [Taped]	1	
22	150709	(80002319-	) Fitting, Brs, Tee, Pm04/Pf04/Pf04, Run	1	
23	1016383	(80002319-	) Fitting, Brs, Str, Pf04/Pm06	1	
24	150100	(80002319-	) Fitting, Brs, Str, Pf02/Pm04	1	
25	1017386	(00000000-	)● Valve, Vent, Air, Float Type	1	
▽	26	9006161	(80002319-	)● Module Kit, Replmt [Ec-H2o]	1
▲	27	578820000	(80002319-	) Hose, Pvc, Brd, 0.25id 0.44od 157.2l,Clr	1
▲	28	9004606	(80002319-	) Hose, Pvc, Brd, .25id .45od 64l, Clr	1
29	1042495	(80002319-	)● Pump, Soltn, Ele, 24vdc, 35psi	1	
30	1005630	(00000000-	) Fitting, Plstc, E90, Bm06/Pm06, Nyl	1	
31	613521	(80002319-	) Hose, Pvc, Clr, 0.50id 0.75od 012.0l	1	
32	613514	(00000000-	) Hose, Pvc, Clr, 0.50id 0.75od 004.1l	1	
33	630372	(00000000-	) Fitting, Plstc, Tee, Bm06/Bm08/Bm08, Br	1	
34	140957	(00000000-	) Hose, Pvc, Clr, 0.50id 0.75od 002.5l	1	
35	1017532	(00000000-	) Fitting, Plstc, E90, Bm08/Pm06	2	
36	150420	(00000000-	) Fitting, Brs, E90, Pf06/Pm06 [Taped]	2	
37	1023581	(00000000-	) Fitting, Plstc, Str, Bm08/Pm08, Nyl	1	
38	140957	(00000000-	) Hose, Pvc, Clr, 0.50id 0.75od 002.5l	2	
39	63987-1	(00000000-	) Fitting, Plstc, E90, Bm08/Bm08	1	
40	1005302	(00000000-	)● Filter, In-Line, Pf06/Pf06 080mesh 02.6l	1	

▽ ASSEMBLY

▲ INCLUDED IN ASSEMBLY

● RECOMMENDED STOCK ITEMS

9006161 ec-H2O MODULE ASSEMBLY BREAKDOWN



## 9006161 ec-H2O MODULE ASSEMBLY BREAKDOWN

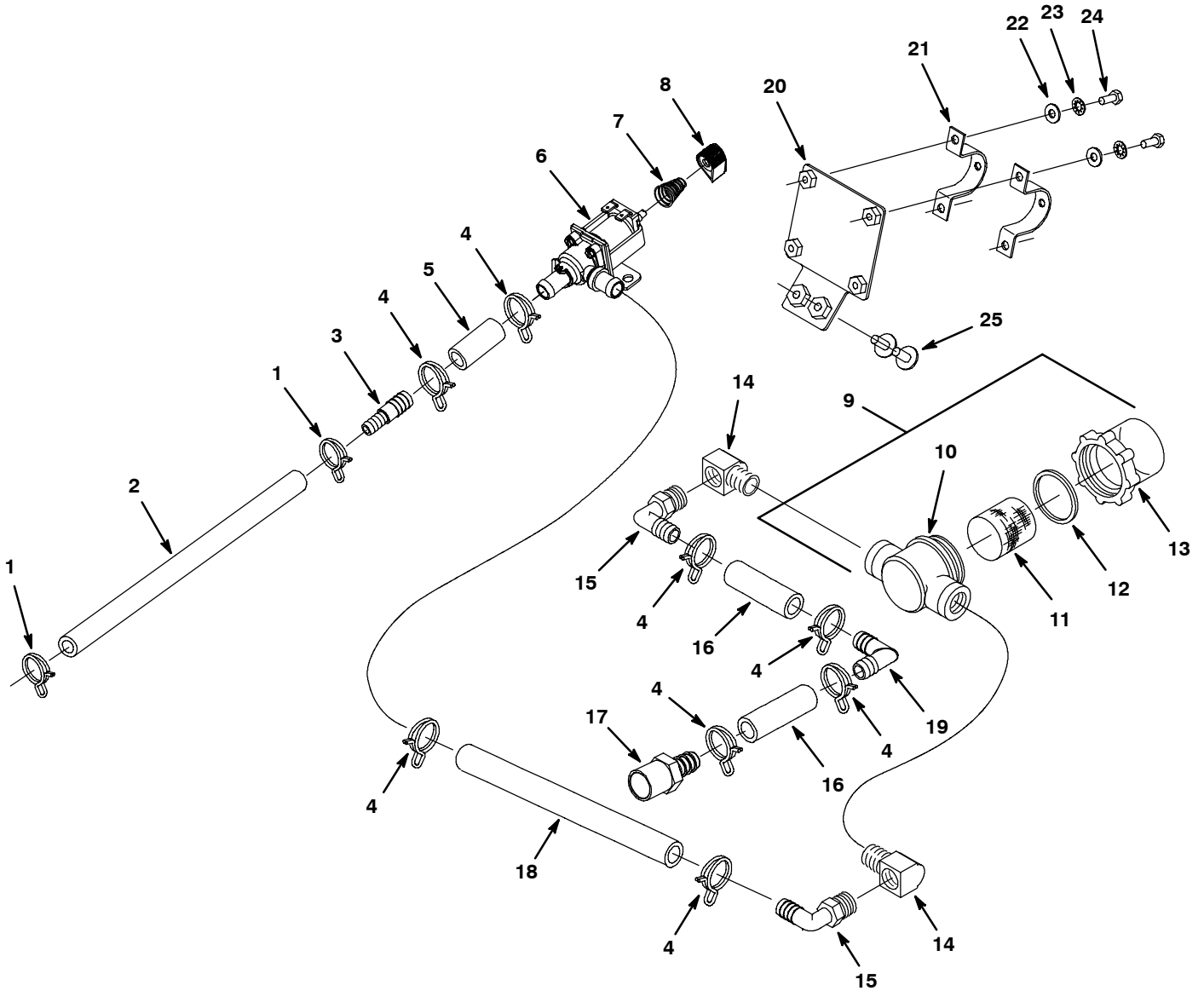
Ref.	Part No.	Serial Number	Description	Qty.
▽	9006161	(80002319-	)● Module Kit, Replmt [Ec-H2o]	1
▲	1 1037032	(80002319-	) Housing, Bottom	1
▲	2 1054776	(80002319-	)● Grommet, Blind	1
▲	3 1038220	(80002319-	)● Seal, Org, .799 X .103, Viton	1
▲	4 1048220	(80002319-	) Plug, Cell	1
▲	5 609062	(80002319-	) Screw, Trs, Phl, 08-32 X 0.38, Ss	1
▲	6 1038277	(80002319-	)● Seal, Org, .206 X .103, Viton	1
▲	7 1033963	(80002319-	)● Electrode, 5 Plate	1
▲	8 578860	(80002319-	) Screw, Pan, Phl, 04-40 X 0.31, PI	2
▲	9 02892	(80002319-	) Washer, Flat, 0.12b 0.38d .03, Stl, PI	2
▲	10 3701.6	(80002319-	) Screw, Pan, Phl, 06-32 X 0.38, Shtmtl,Ss	4
▲	11 603654	(80002319-	) Clamp, Hose, Ear, .44d [Ctb]	3
▲	12 9004606	(80002319-	) Hose, Pvc, Brd, .25id .45od 46l, Clr	1
▲	13 140826	(80002319-	) Screw, Pan, 06-32 X 0.75, Fmg/Ab, Ss	4
▲	14 578820000	(80002319-	) Hose, Pvc, Brd, 0.25id 0.44od 157.2l,Clr	1
▲	15 1037595	(80002319-	) Fitting, Plstc, E90, Bm04/Pm02, Nyl	2
▲	16 140801	(80002319-	) Screw, Trs, Phl, 08-32 X 0.38, Ss	2
▲	17 1038618	(80002319-	) Adapter, Cell	1
▲	18 1013236	(80002319-	)● Valve, Shutoff, Ele, 24vdc	1
▲	19 1045030	(80002319-	) Fitting, Brs, Str, Pm02/Pm02	1
▲	20 1038159	(80002319-	)● Electrode, Cylindrical	1
▲	21 1037034	(80002319-	) Housing, Upper	1
▲	22 1018155	(80002319-	) Screw, Pan, Phl, M5 X 0.80 X 16, Tcut,Ss	8
▲	23 1044393	(80002319-	)● Switch, Rocker, Spst, Mom,	1
▲	24 613735	(80002319-	)● Clamp, Hose, Wir, .40 - .42, Yel	1
▲	25 9006159	(80002319-	)● Controller Kit, Replmt [Ec-H2o]	1
▲	26 1049637	(80002319-	)● Label, Direction [Ec-H2o]	1
	27 1044399	(80002319-	)● Harness, Main, Controller [Ec-H2o, P3]	1

▽ ASSEMBLY

▲ INCLUDED IN ASSEMBLY

● RECOMMENDED STOCK ITEMS

SOLUTION GROUP, STANDARD MODEL



## SOLUTION GROUP, STANDARD MODEL

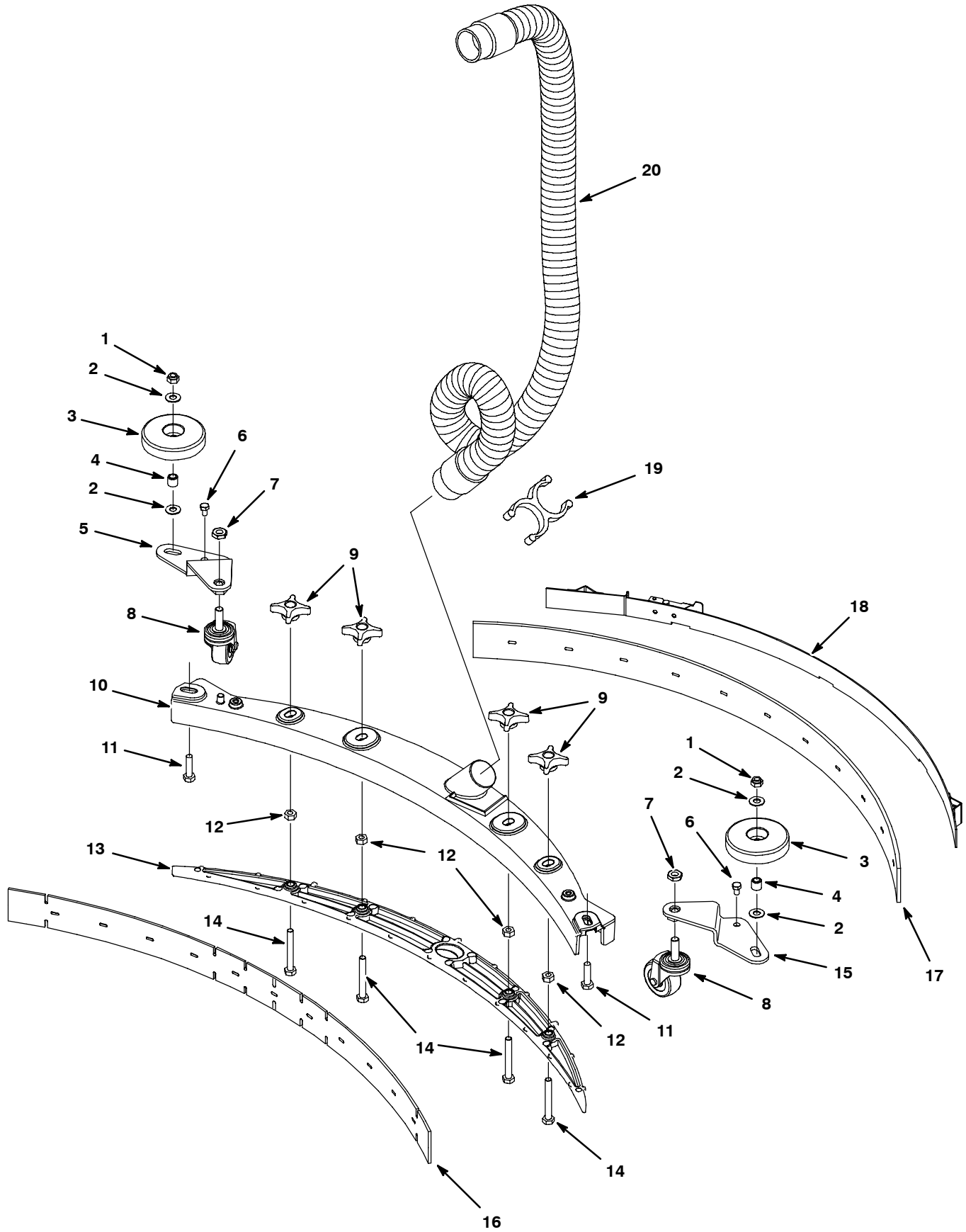
Ref.	Part No.	Serial Number	Description	Qty.	
1	607775	(00000000-	) Clamp, Hose, Wir, .63 - .66, Blk	2	
2	613444	(00000000-	) Hose 3/8id x 5/8od Clear 611254 Ft 1.670	1	
3	612774	(00000000-	) Fitting, Plstc, Str, Bm06/Bm08	1	
4	607776	(00000000-	) Clamp, Hose, Wir, .73 - .77, Silver	8	
5	606225	(00000000-	) Hose 1/2id X 1.79"	1	
▽	6	1016595	(00000000-)	● Valve, 1/4-20 [Liq Dispensing]	1
▲	614265	(00000000-	) ● Valve Kit, Water [Viton Diaphram]	1	
	7	1017091	(00000000-	) Spring, Cmpr, .48d, .036w, .75l	1
	8	1013442	(00000000-	) ● Knob, Valve, Indicator, Blk	1
▽	9	1005302	(00000000-)	● Filter, In-Line, Pf06/Pf06, 80 Mesh	1
▲	10	613993	(00000000-	) ● Housing, Top, F/1005302	1
▲	11	1005304	(00000000-	) ● Screen, Fltr, 80 Mesh	1
▲	12	613992	(00000000-	) ● Gasket [Viton, F/1005302]	1
▲	13	613991	(00000000-	) ● Bowl, Clr, Short, F/1005302	1
	14	150420	(00000000-	) Fitting, Brs, E90, Pf06/Pm06 [Taped]	2
	15	1017532	(00000000-	) Fitting, Plstc, E90, Bm08/Pm06	2
	16	140957	(00000000-	) Hose, Pvc, Clr, 0.50id 0.75od 002.5l	2
	17	1023581	(00000000-	) Fitting, Plstc, Str, Bm08/Pm08, Nyl	1
	18	613517	(00000000-	) Tube, 0.50id X 0.75od Vyl 0.46ft[611259]	1
	19	63987-1	(00000000-	) Fitting, Plstc, E90, Bm08/Bm08	1
	20	1029533	(00000000-	) Bracket, Mtg, Fltr	1
	21	605056	(00000000-	) Bracket, Mtg, Fltr	2
	22	01683	(00000000-	) Washer, Flat, #10, Ss	4
	23	07514	(00000000-	) Washer, Lock, Int, #10, Ss	4
	24	09738	(00000000-	) Screw, Hex, M5 X 0.8 X 12, Ss	4
	25	1034731	(00000000-	) Screw, Hex, M6 X 1.00 X 16, Ss, Sems	2

▽ ASSEMBLY

▲ INCLUDED IN ASSEMBLY

● RECOMMENDED STOCK ITEMS

SQUEEGEE GROUP, 500 mm



## SQUEEGEE GROUP, 500 mm

Ref.	Part No.	Serial Number	Description	Qty.
▽	9001178	(00000000-	)● Squeegee Assy Kit, 500mm, Ci	1
▲	1 08713	(00000000-	) Nut, Hex, Lock, M8 X 1.25, NI, Ss	2
▲	2 140027	(00000000-	) Washer, Flat, 0.35b 0.75d .04, Ss	4
▲	3 1010560	(00000000-	)● Wheel, Bmpr, 80d X 25w, Non-Marking	2
▲	4 222460	(00000000-	) Sleeve, P/M, 0.31b 0.50d 0.5l [430ss]	2
▲	5 1011228	(00000000-	) Plate, Mtg, Caster, Sqge, Rh	1
▲	6 74455	(00000000-	) Screw, Hex, M6 X 1.0 X 12, Fmg	2
▲	7 32716	(00000000-	) Nut, Hex, Jam, M10 X 1.5, Ss	2
▲	8 1006343	(00000000-	)● Caster, Swivel, 50mmd, M10 X 30 Stem, PI	2
▲	9 1010558	(00000000-	)● Knob, Star, 2.00d 4ear .73l M8x1.25 Thru	4
▲	10 1011163	(00000000-	) Frame, Sqge, 74cm [50cm] Die Cast	1
▲	11 09011	(00000000-	) Screw, Hex, M8 X 1.25 X 30, Ss	2
▲	12 07786	(00000000-	) Nut, Hex, Std, M8 X 1.25, Ss	4
▲	13 1019919	(00000000-	) Retainer, Sqge, 76cm [50cm] Nyl, Blk	1
▲	14 1014163	(00000000-	) Screw, Hex, M8 X 1.25 X 60, Fl, Ss	4
▲	15 1011956	(00000000-	) Plate, Mtg, Caster, Sqge, Lh	1
▲	16 1011232	(00000000-	)● Blade, Sqge, Front, 500mml Linatex (Standard)	1
	16 1014091	(00000000-	)● Blade, Sqge, Front, 500mml, Gum (Optional)	1
	16 1014092	(00000000-	)● Blade, Sqge, Front, 500mml, Oil-Rstn (Optional)	1
▲	17 1011456	(00000000-	)● Blade, Sqge, Rear, 32.7l, Linatex[500mm] (Standard)	1
	17 1014093	(00000000-	)● Blade, Sqge, Rear, 32.7l, Gum [500mm] (Optional)	1
	17 1014094	(00000000-	)● Blade, Sqge, Rear, 32.7l, Oil-Rstn[500mm] (Optional)	1
▲	18 1013933	(00000000-	) Strap Assy, Sqge, 500mm	1
	19 1014079	(00000000-	)● Clip, Hose, Gripper, 1.50id, Dbl, Blk Pp	1
	20 1014026	(00000000-	)● Hose, Vacuum, 1.5d X 57l, 2-Short Cuffs	1

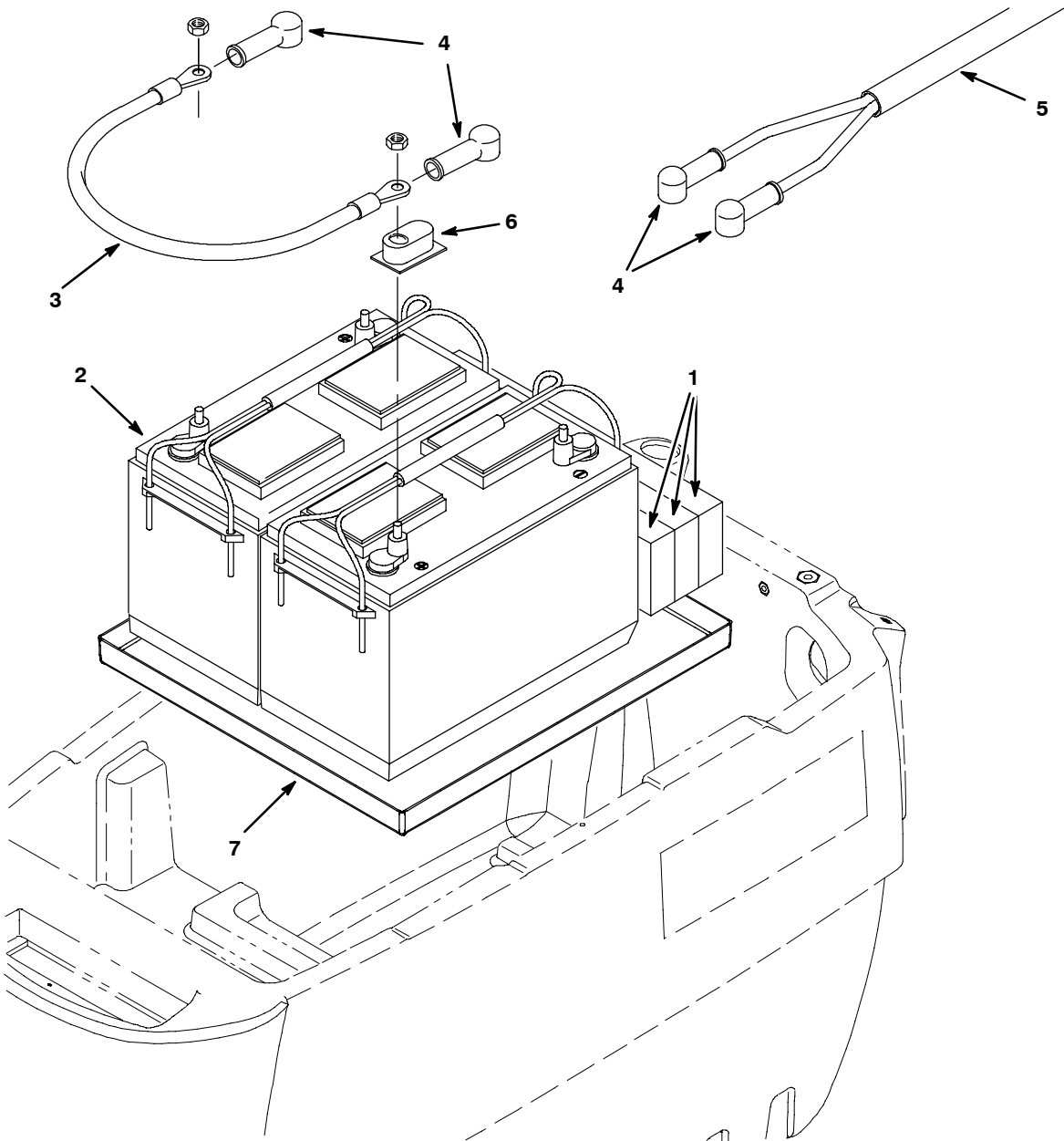
▽ ASSEMBLY

▲ INCLUDED IN ASSEMBLY

● RECOMMENDED STOCK ITEMS

# STANDARD PARTS

## BATTERY AND CABLE GROUP, 12V/105 AH, 43 cm (17 in) BRUSH ASSIST MODEL

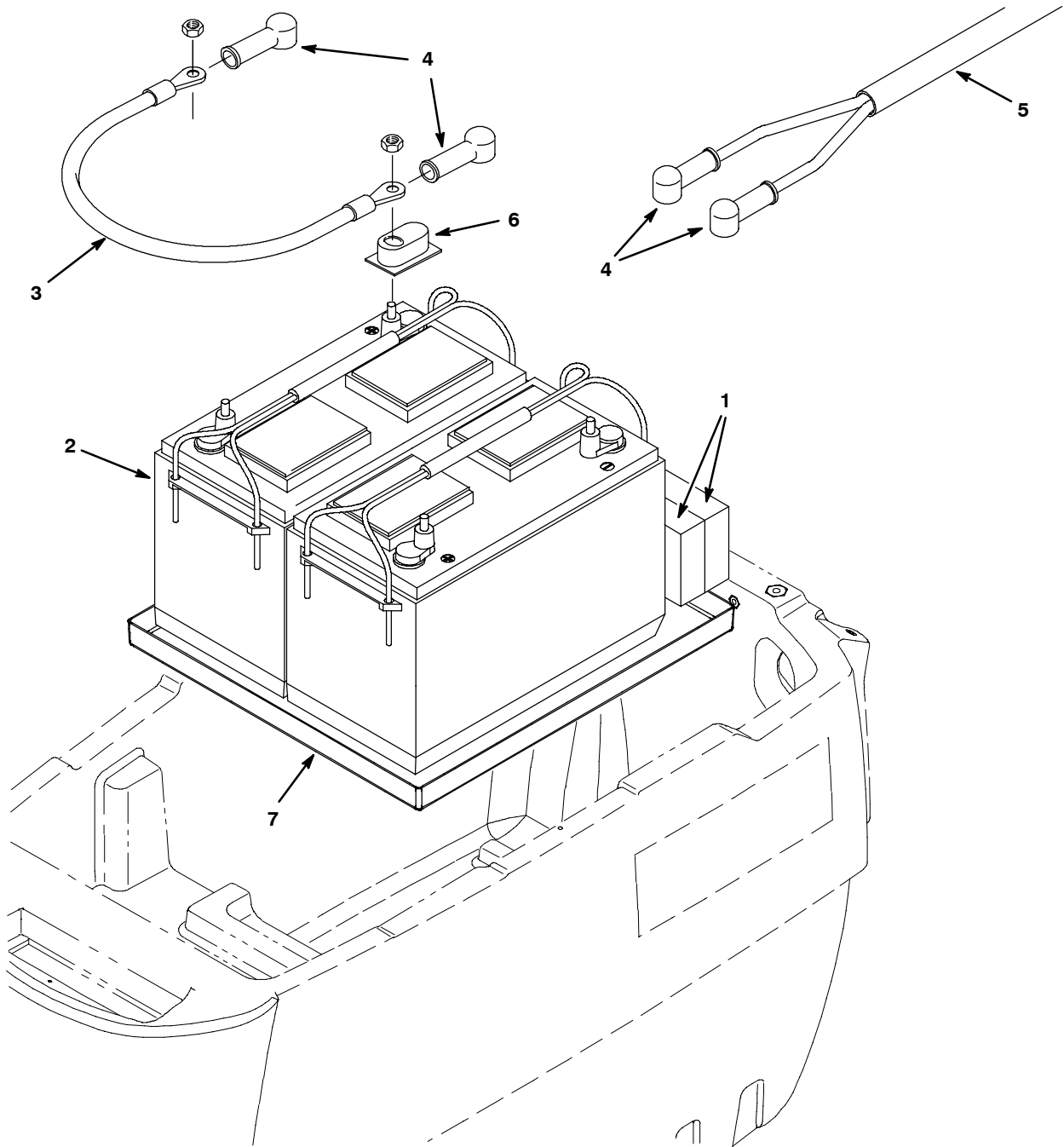


Ref.	Part No.	Serial Number	Description	Qty.
1	630375	(00000000-	)● Spacer, Battery, 1.25 X 3.25 X 13.7 Foam	3
2	578426	(00000000-	)● Battery, 12vdc, 0530cca, 105ah [27tmx]	2
3	130364	(00000000-	)● Cable, 06ga 15.0l Blk .31ring /.38ring	1
4	611221	(00000000-	)● Boot, Terminal, Battery, 25.4mm, Blk	4
5	1015941	(00000000-	) Harness, Battery	1
6	45962	(00000000-	)● Cap, Plstc, .04 1.38 X 2.30 0.5l	4
7	1012994	(00000000-	)● Tray, Battery	1

● RECOMMENDED STOCK ITEMS



**BATTERY AND CABLE GROUP, 12V/130 Ah, 50 cm (20 in) BRUSH ASSIST MODEL**

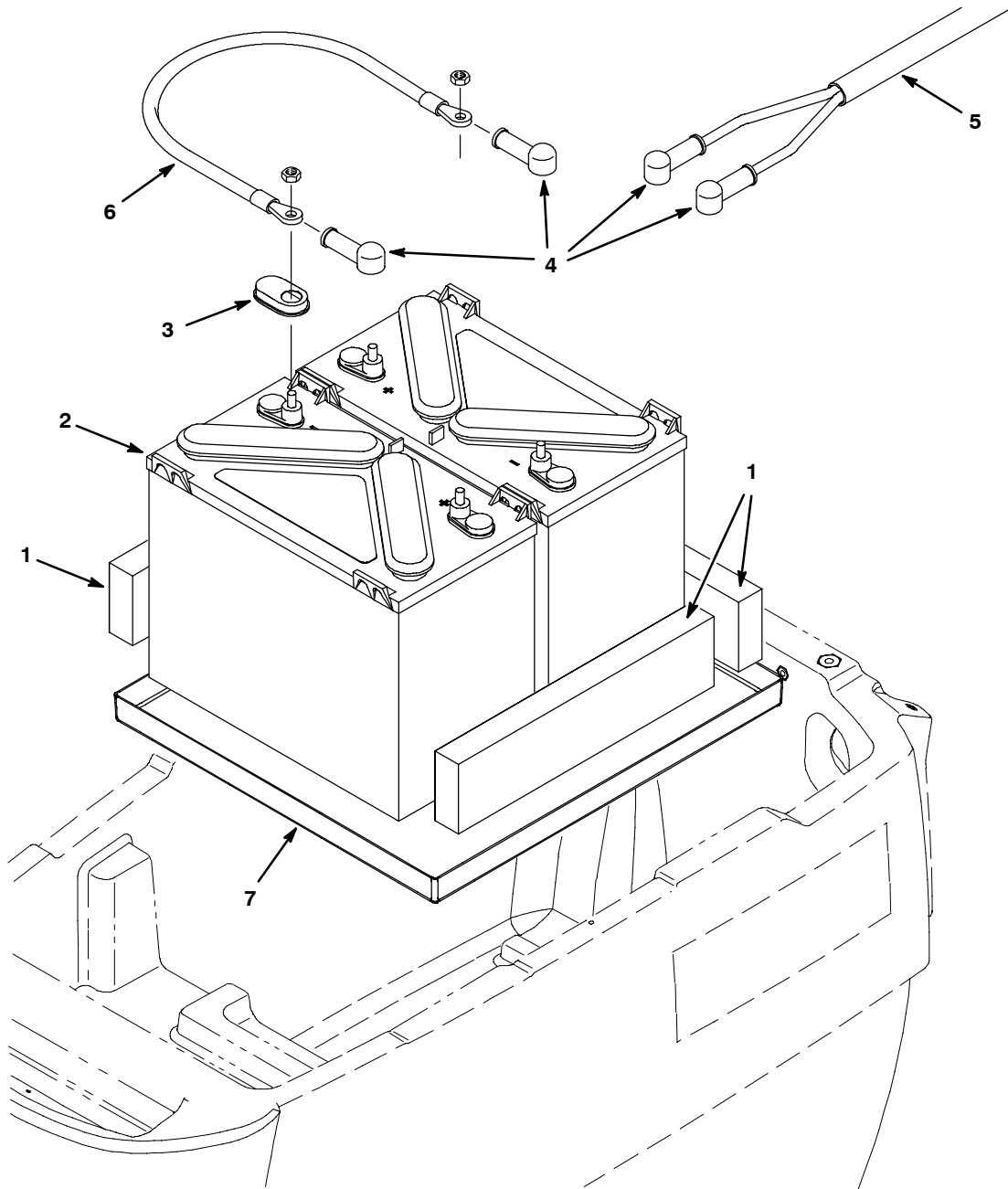


Ref.	Part No.	Serial Number	Description	Qty.
1	630375	(00000000-	)● Spacer, Battery, 1.25 X 3.25 X 13.7 Foam	2
2	130869	(00000000-	)● Battery, 12vdc, Cca, 130ah(30xhs-Wnt)	2
3	130364	(00000000-	)● Cable, 06ga 15.0l Blk .31ring /.38ring	1
4	611221	(00000000-	)● Boot, Terminal, Battery, 25.4mm, Blk	4
5	1015941	(00000000-	) Harness, Battery	1
6	45962	(00000000-	)● Cap, Plstc, .04 1.38 X 2.30 0.5l	4
7	1012994	(00000000-	)● Tray, Battery	1

● RECOMMENDED STOCK ITEMS

# STANDARD PARTS

## BATTERY AND CABLE GROUP, 12V/155 AH, 50 cm (20 in) DRIVE MODEL



Ref.	Part No.	Serial Number	Description	Qty.
	1	630375	(00000000- )● Spacer, Battery, 1.25 X 3.25 X 13.7 Foam	3
▽	2	1015046	(00000000- )● Battery, 12vdc, 155ah, Wet	2
▲	3	1041030	(00000000- )● Cap, Battery	4
	4	611221	(00000000- )● Boot, Terminal, Battery, 25.4mm, Blk	4
	5	1015941	(00000000- ) Harness, Battery	1
	6	130364	(00000000- )● Cable, 06ga 15.0l Blk .31ring /.38ring	1
	7	1012994	(00000000- )● Tray, Battery	1

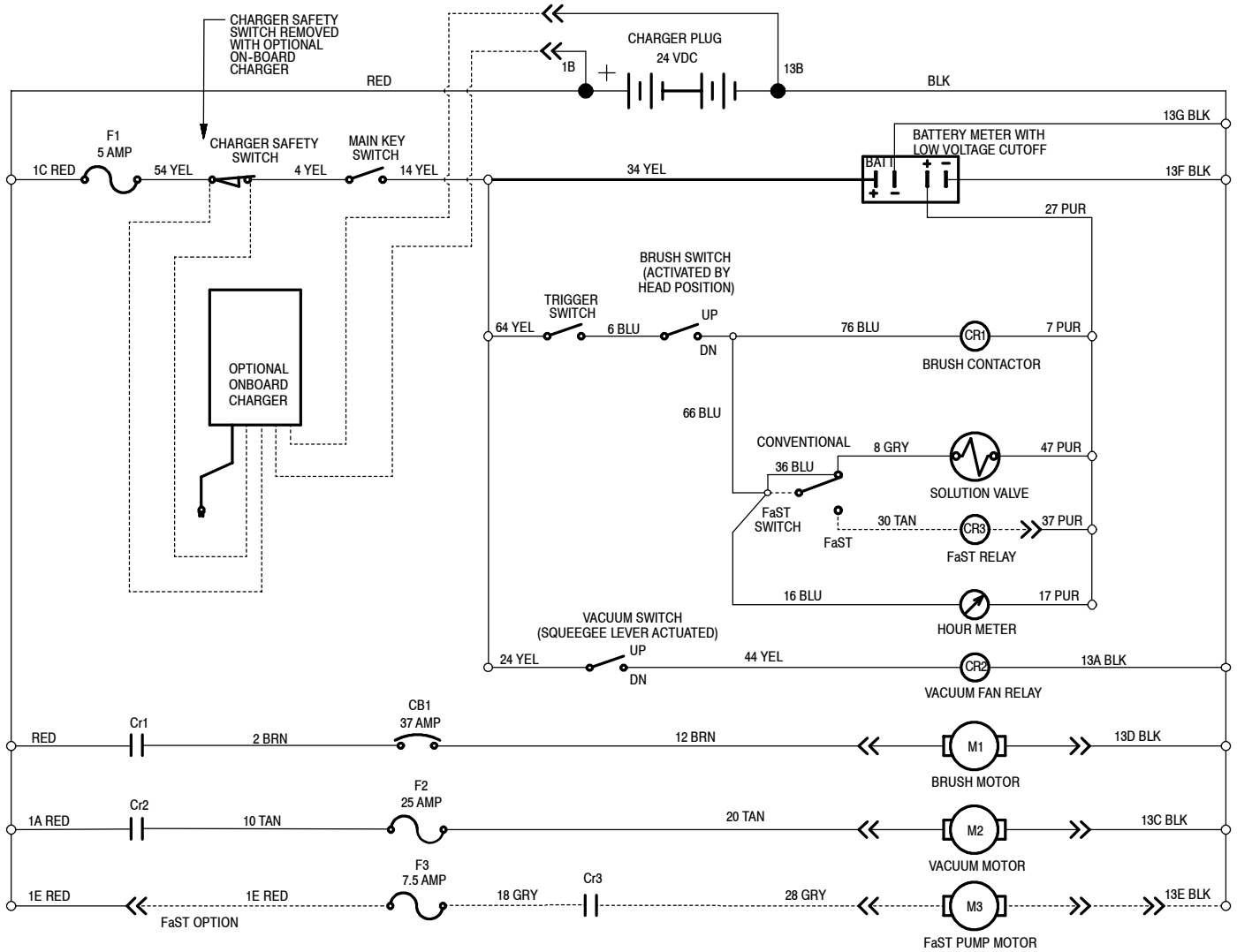
▽ ASSEMBLY

▲ INCLUDED IN ASSEMBLY

● RECOMMENDED STOCK ITEMS

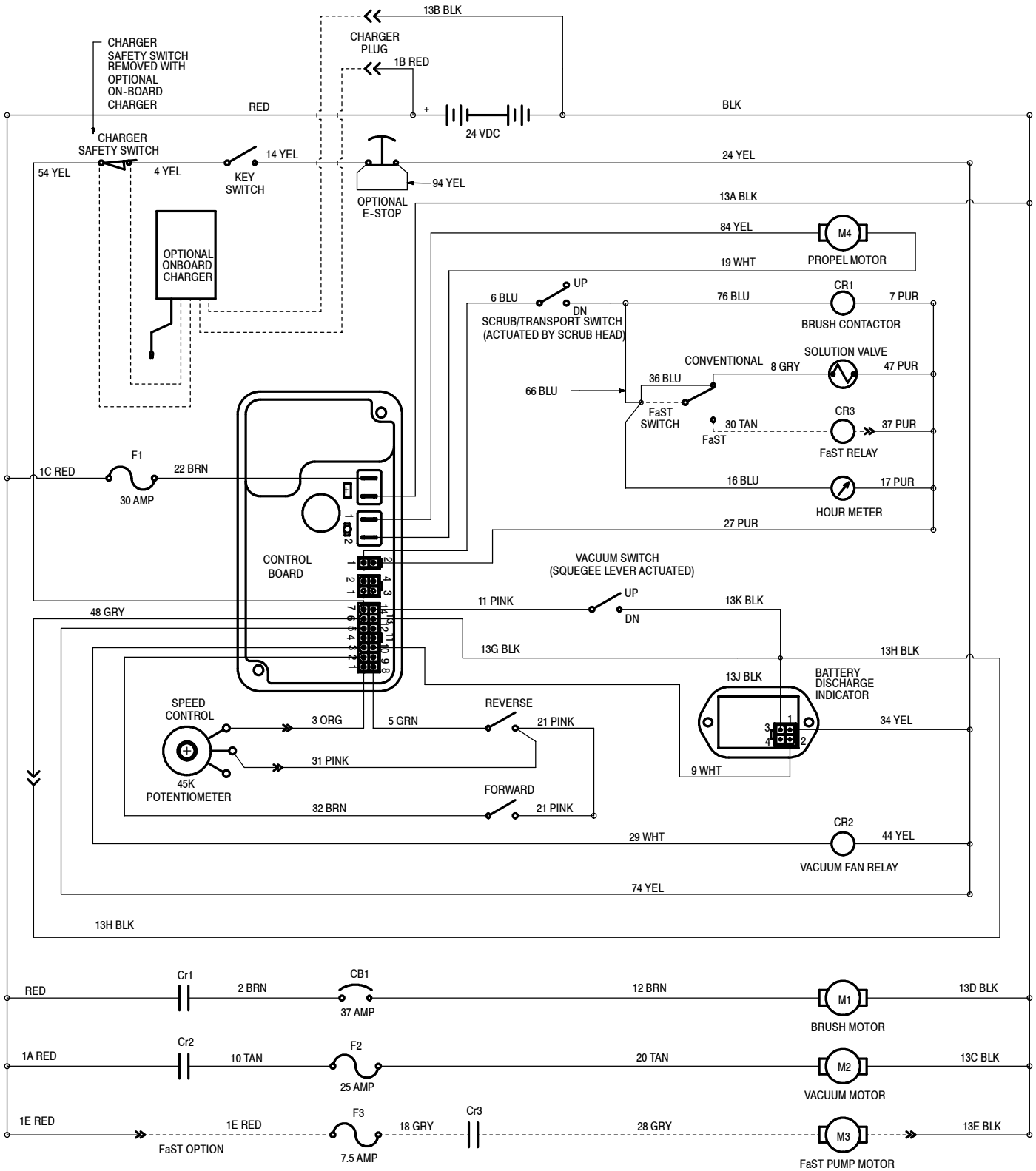
ELECTRICAL DIAGRAM, BRUSH ASSIST STANDARD & FaST MODEL

1032389



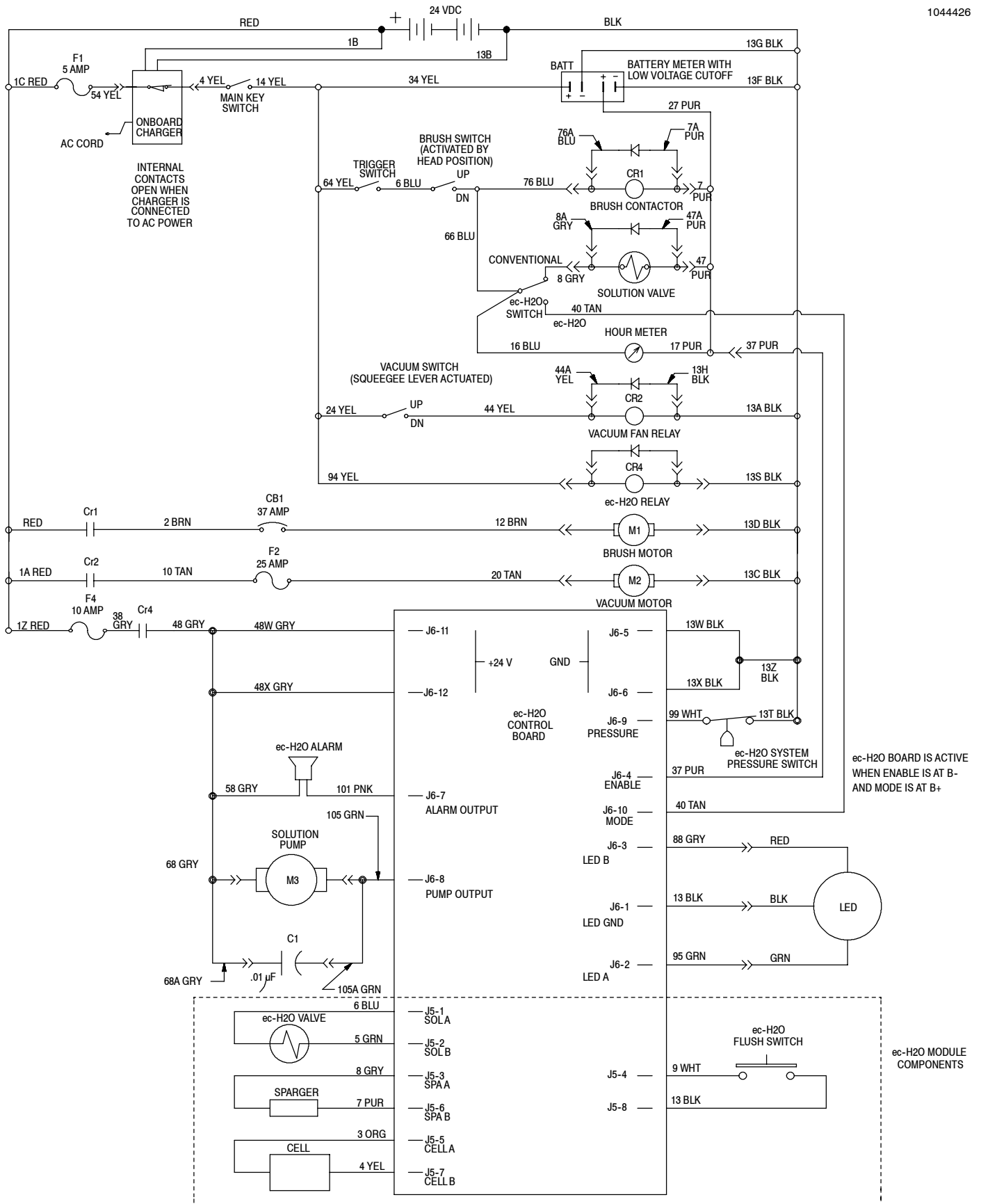
ELECTRICAL DIAGRAM, DRIVE STANDARD & FaST MODEL

1034192



ELECTRICAL DIAGRAM, BRUSH ASSIST ec-H2O MODEL

1044426

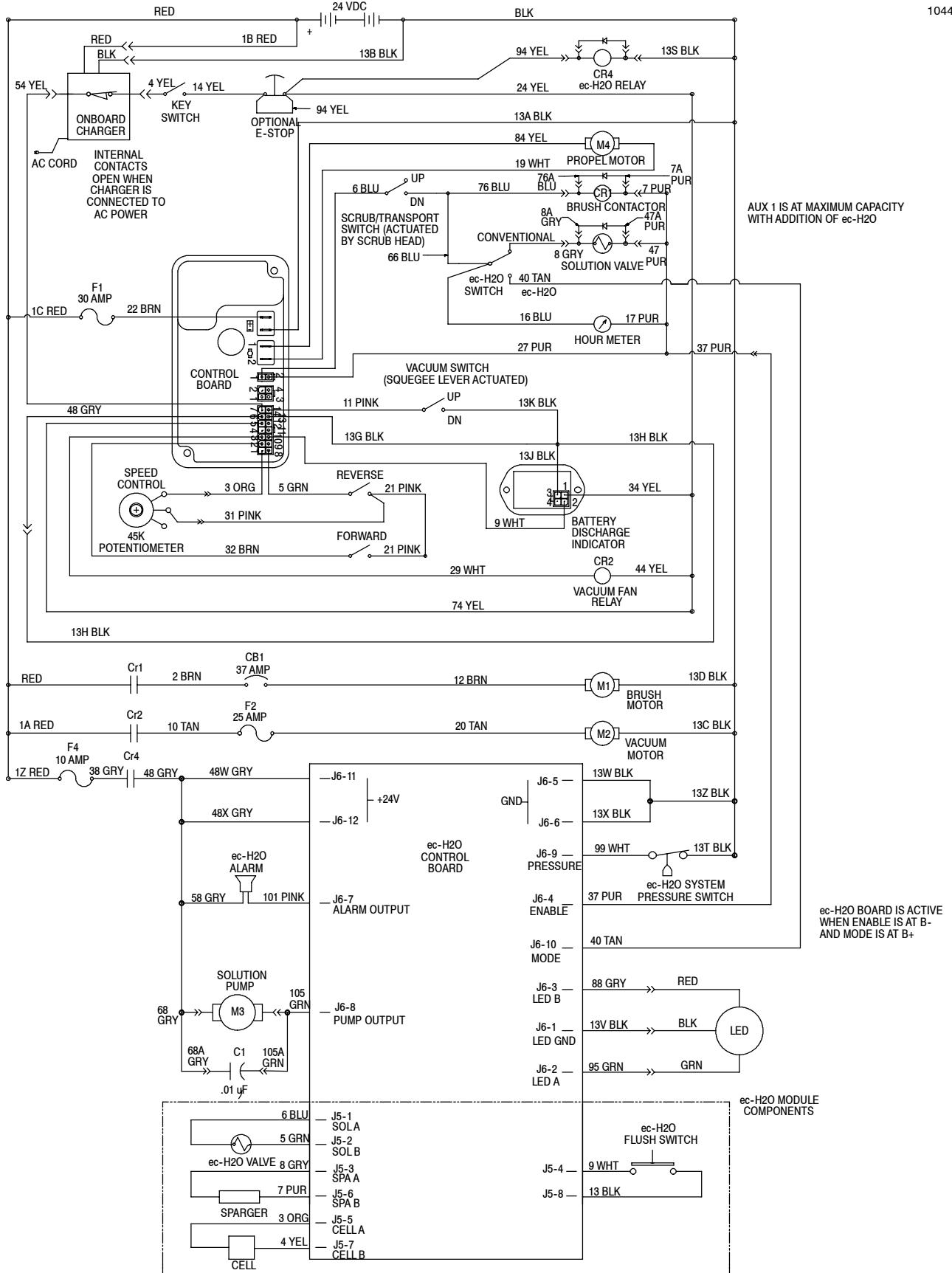


ec-H2O BOARD IS ACTIVE WHEN ENABLE IS AT B- AND MODE IS AT B+

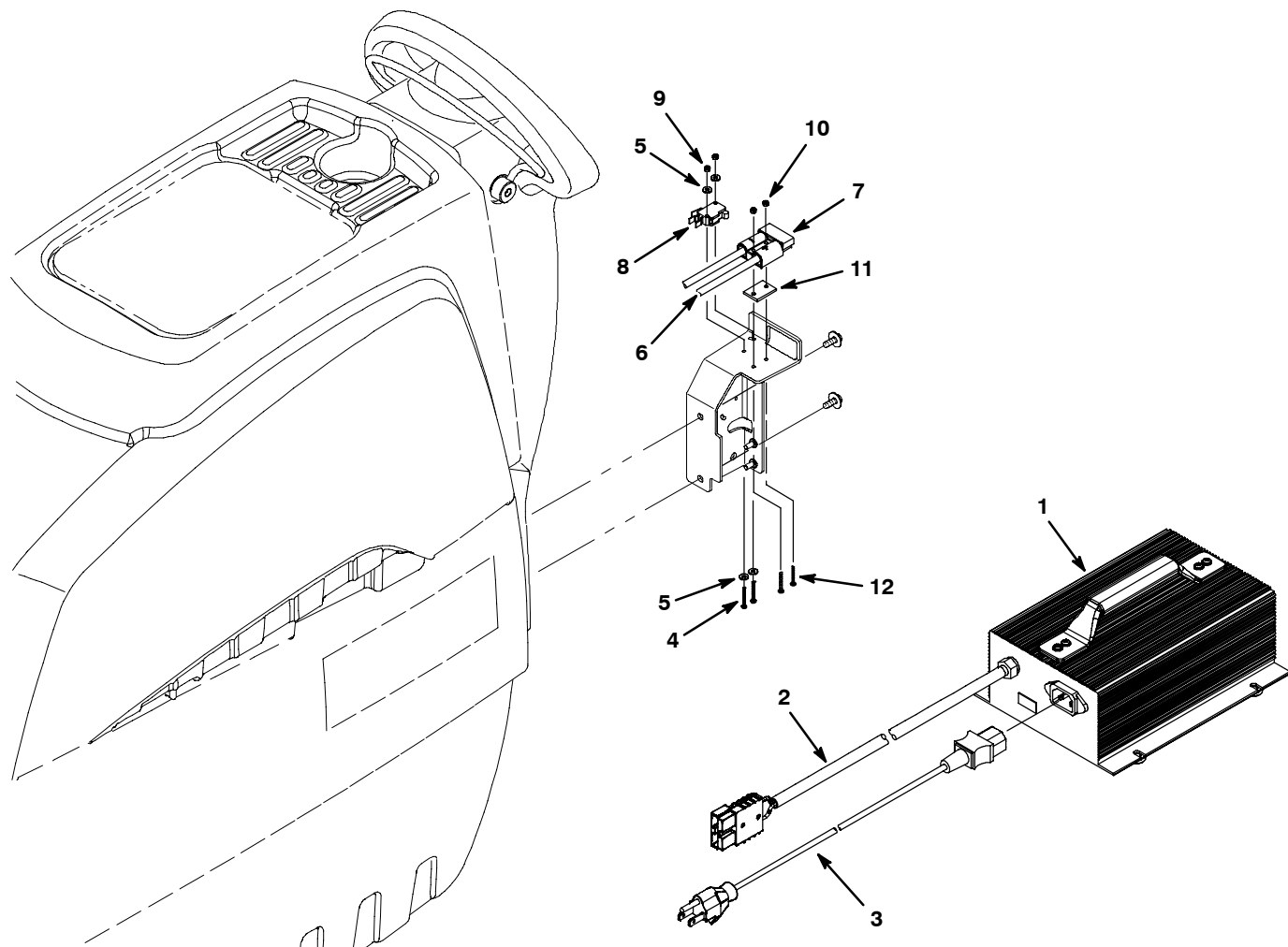
ec-H2O MODULE COMPONENTS

ELECTRICAL DIAGRAM, DRIVE ec-H2O MODEL

1044402



OFF-BOARD BATTERY CHARGER GROUP



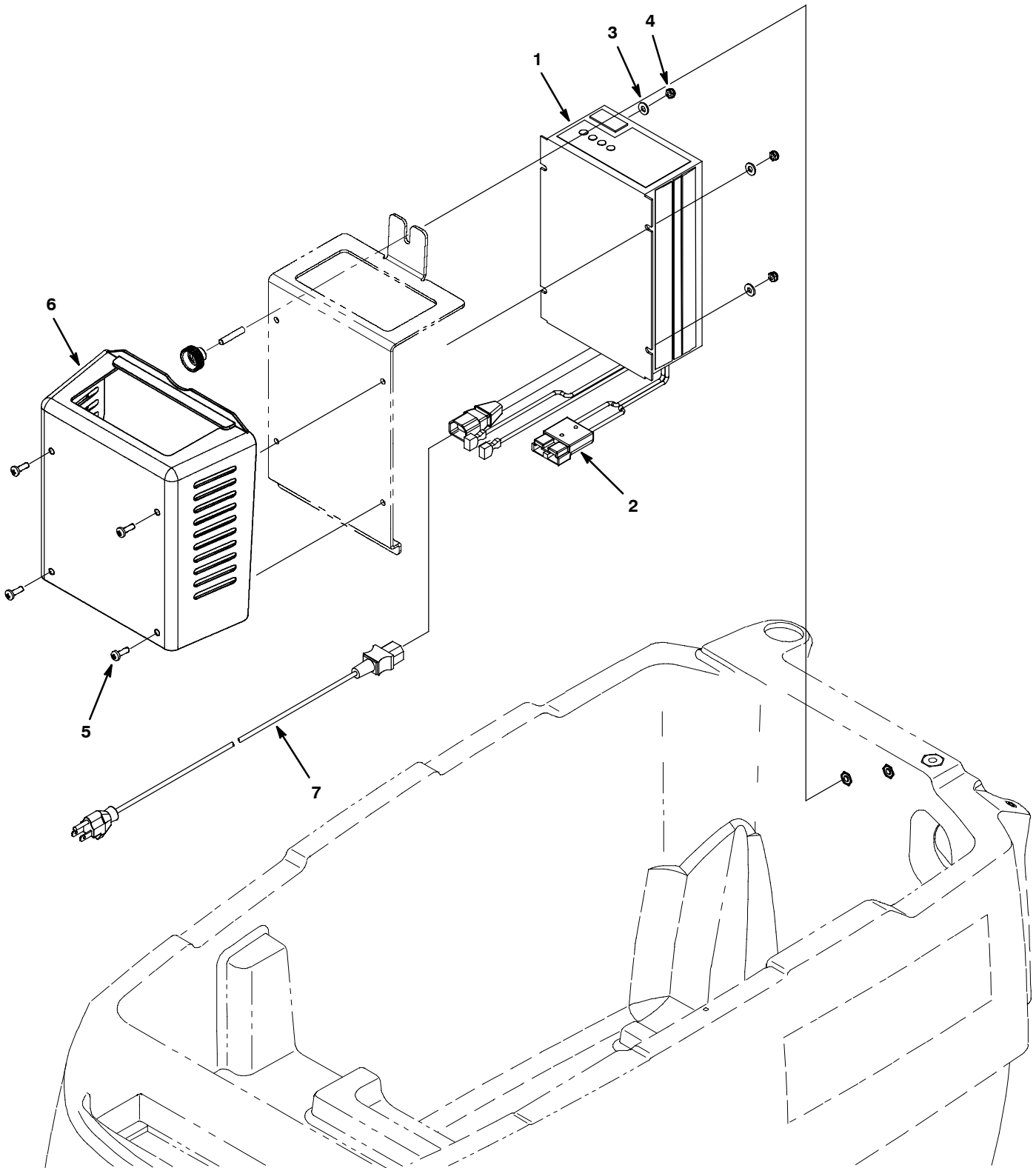
Ref.	Part No.	Serial Number	Description	Qty.
▽	9003347	(00000000-	)● Kit, Charger, Off-Board, 120vac, 24vdc	1
▲▽	1 1056034	(00000000-	)● Charger, 24vdc, 11a Var Vac 1ph 50/60hz	1
▲▲	2 605387	(00000000-	)● Connector, Anderson, 50a,Red W/O Contact	1
▲	3 1025642	(00000000-	)● Cord, Power, 16/3, 4.5 Meters, Blk [Us/Japan]	1
	3 1026330	(00000000-	)● Cord, Power,1.0mm2 X 2.5 Meters [ China]	1
	3 1026325	(00000000-	)● Cord, Power, 1.0mm2 X 2.5 Meters [Aus]	1
	3 1032849	(00000000-	)● Cord, Power, 2.5 Meter, Black [Ce]	1
	3 1048304	(00000000-	)● Cord, Power, 4.5 Meter[India, S. Africa]	1
▲	4 06922	(00000000-	) Screw, Pan, M3 X 0.50 X 20, 4.8	2
▲	5 41578	(00000000-	) Washer, Flat, #06, Ss	4
▲▽	6 1033362	(00000000-	) Harness, Chrgr [T3e - Ss3]	1
▲▲	7 605387	(00000000-	)● Connector, Anderson, 50a,Red W/O Contact	1
▲	8 611005	(00000000-	)● Switch, Rlr, 16a, Micro	1
▲	9 579211	(00000000-	) Nut, Hex, Lock, M3 X 0.50, Ss	2
▲	10 33932	(00000000-	) Nut, Hex, Lock, M4 X 0.70, NI, Ss	2
▲	11 603331	(00000000-	) Spacer, Plug, Chrgr	1
▲	12 1033197	(00000000-	) Screw, Pan, M4x0.7x24, Phl, Ss [7985]	2

▽ ASSEMBLY

▲ INCLUDED IN ASSEMBLY

● RECOMMENDED STOCK ITEMS

ON-BOARD BATTERY CHARGER GROUP, STANDARD & FaST MODEL





**ON-BOARD BATTERY CHARGER GROUP, STANDARD & FaST MODEL**

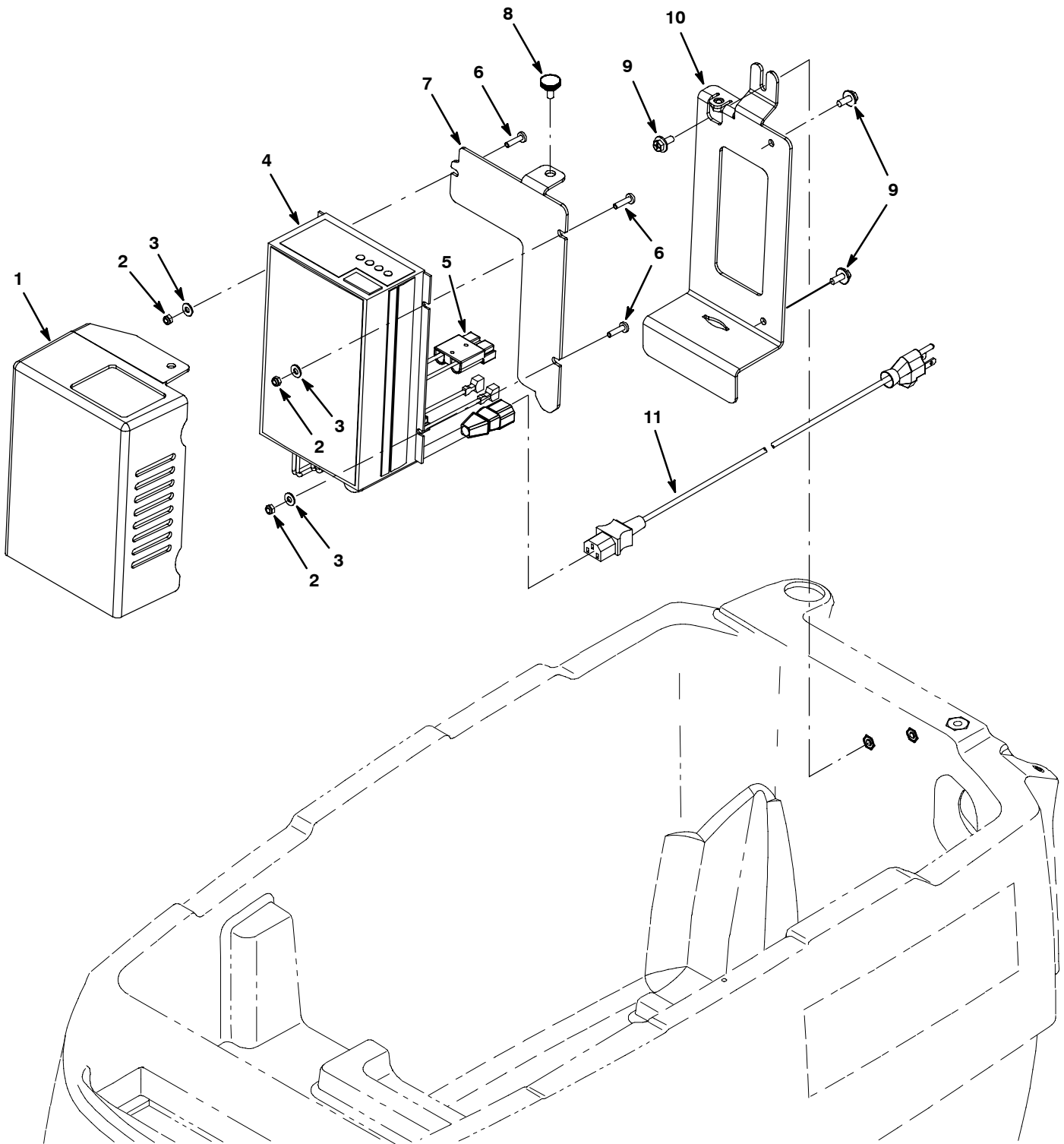
	<b>Ref.</b>	<b>Part No.</b>	<b>Serial Number</b>	<b>Description</b>	<b>Qty.</b>
▽		9003065	(00000000-	)● Charger Kit [On-Board, T3e/Ss3]	1
▲▽	1	1056033	(00000000-	)● Charger, 24vdc 11a 100/240vac 50/60hz	1
▲▲	2	605387	(00000000-	)● Connector, Anderson, 50a,Red W/O Contact	1
▲	3	01683	(00000000-	) Washer, Flat, 0.22b 0.50d .05, Ss [#10]	4
▲	4	09739	(00000000-	) Nut, Hex, Lock, M5 X 0.80, NI, Ss	4
▲	5	06934	(00000000-	) Screw, Pan, Phl, M5 X 0.80 X 20, 4.8	4
▲	6	1040600	(00000000-	) Cover, Charger [Ss3]	1
▲	N/S	1045989	(00000000-	) Harness, Chrgr [Onboard, T3e/Ss3 Ec-H2o]	1
	7	1025642	(00000000-	)● Cord, Power, 16/3, 4.5 Meters, Blk [Us]	1
	7	1026330	(00000000-	)● Cord, Power, 1.0mm2 X 2.5 Meters [ China]	1
	7	1026325	(00000000-	)● Cord, Power, 1.0mm2 X 2.5 Meters [Aus]	1
	7	1032849	(00000000-	)● Cord, Power, 4.5 Meter, Blk [Ce]	1
	7	1048304	(00000000-	)● Cord, Power, 4.5 Meter[India, S. Africa]	1

▽ ASSEMBLY

▲ INCLUDED IN ASSEMBLY

● RECOMMENDED STOCK ITEMS

ON-BOARD BATTERY CHARGER GROUP, ec-H2O MODEL



**ON-BOARD BATTERY CHARGER GROUP, ec-H2O MODEL**

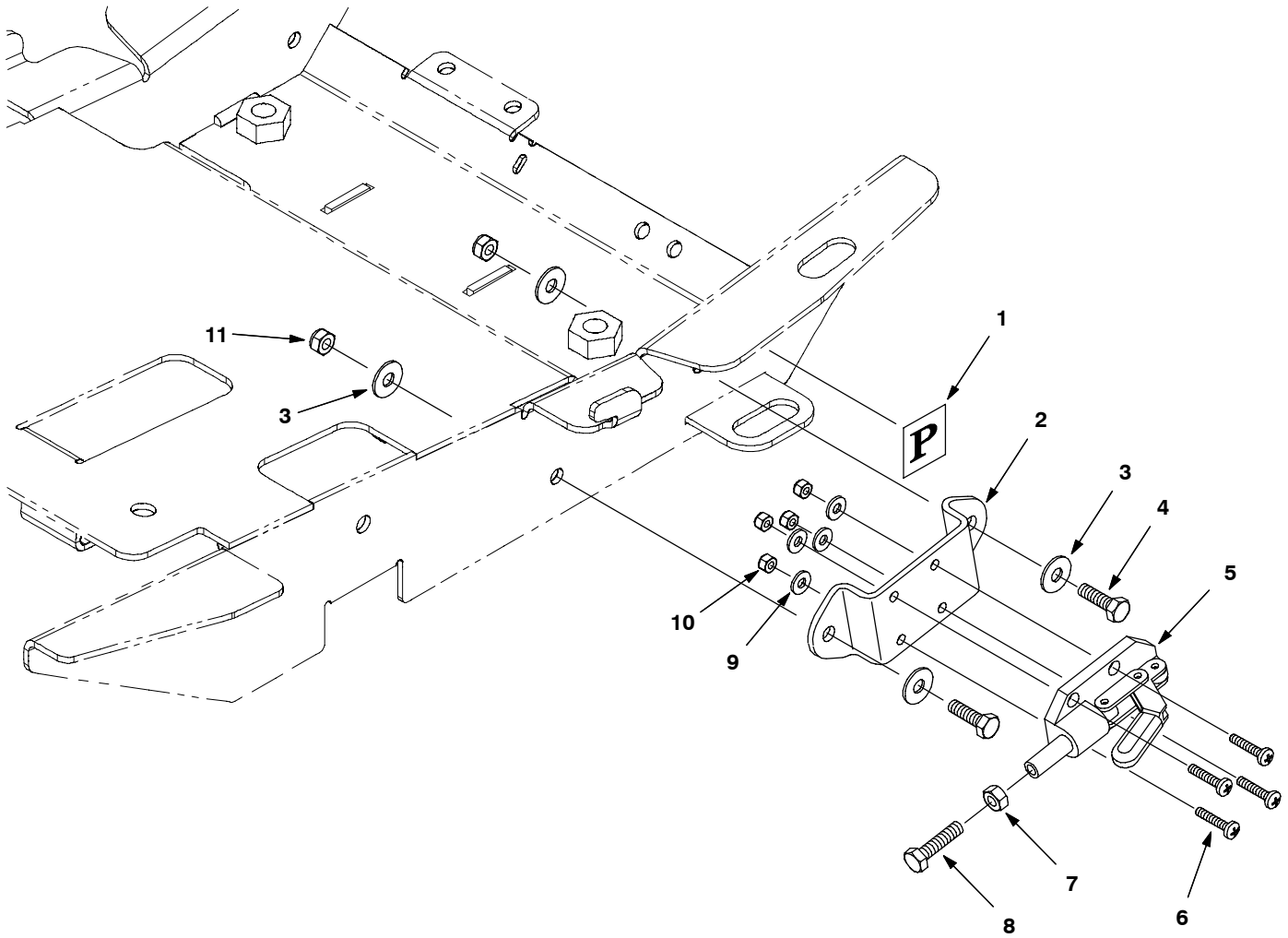
Ref.	Part No.	Serial Number	Description	Qty.
▽	9004546	(80002319-	)● Charger Kit [On-Board, T3e/Ss3 Ec-H2o]	1
▲	1 1045985	(80002319-	) Cover, Chrgr [T2 Ec-H2o Concept]	1
▲	2 09739	(80002319-	) Nut, Hex, Lock, M5 X 0.80, NI, Ss	3
▲	3 01683	(80002319-	) Washer, Flat, 10, Ss	3
▲▽	4 1056033	(00000000-	)● Charger, 24vdc 11a 100/240vac 50/60hz	1
▲▲	5 605387	(00000000-	)● Connector, Anderson, 50a,Red W/O Contact	1
▲	6 06934	(80002319-	) Screw, Pan, Phl, M5 X 0.80 X 20, 4.8	3
▲	N/S 1045989	(80002319-	)● Harness, Chrgr [Onboard, T3e/Ss3 Ec-H2o]	1
	7 1045966	(80002319-	) Bracket, Mtg, Chrgr [Ss3 Ec-H2o]	1
	8 1046631	(80002319-	)● Knob,Rnd,19mmod,M6x20,Stud,Plstc,Pl	1
	9 1034731	(80002319-	) Screw, Hex, M6 X 1.00 X 16, Ss, Sems	3
	10 1045961	(80002319-	) Bracket, Mtg, Chrgr [Ss3/T3e Ec-H2o]	1
	11 1025642	(00000000-	)● Cord, Power, 16/3, 4.5 Meters, Blk [Us]	1
	11 1026330	(00000000-	)● Cord, Power, 1.0mm2 X 2.5 Meters [ China]	1
	11 1026325	(00000000-	)● Cord, Power, 1.0mm2 X 2.5 Meters [Aus]	1
	11 1032849	(00000000-	)● Cord, Power, 4.5 Meter, Blk [Ce]	1
	11 1048304	(00000000-	)● Cord, Power, 4.5 Meter[India, S. Africa]	1

▽ ASSEMBLY

▲ INCLUDED IN ASSEMBLY

● RECOMMENDED STOCK ITEMS

PARKING BRAKE GROUP



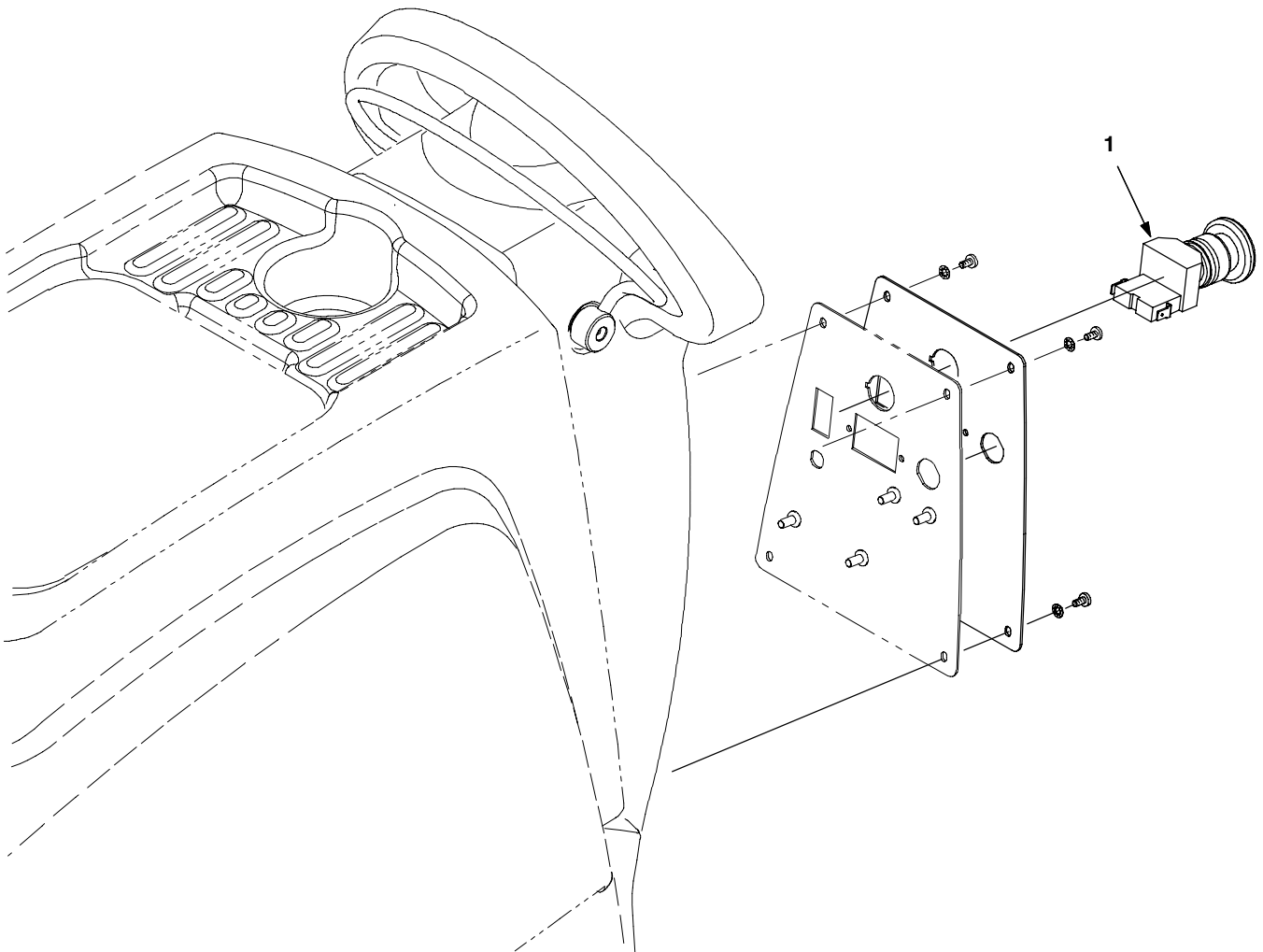
Ref.	Part No.	Serial Number	Description	Qty.
▽	9003351	(00000000-)	● Kit, Parking Brake [T3]	1
▲	1 600624	(00000000-)	) Label, Parking Brake, Symbol [Tnv]	1
▲	2 1013840	(00000000-)	) Bracket, Brake, Frame	1
▲	3 01684	(00000000-)	) Washer, Flat, 0.27b 0.69d .05, Ss	4
▲	4 08716	(00000000-)	) Screw, Hex, M6 X 1.0 X 20, Ss	2
▲	5 1013718	(00000000-)	● Clamp, Brake, Parking [T3]	1
▲	6 12323	(00000000-)	) Screw, Pan, M4 X 0.7 X 20, Ss	4
▲	7 07785	(00000000-)	) Nut, Hex, Std, M6 X 1.00, A2, Ss	1
▲	8 09007	(00000000-)	) Screw, Hex, M6 X 1.00 X 25, Ss	1
▲	9 41579	(00000000-)	) Washer, Flat, #08, Ss	4
▲	10 33932	(00000000-)	) Nut, Hex, Lock, M4 X 0.70, NI, Ss	4
▲	11 08712	(00000000-)	) Nut, Hex, Lock, M6 X 1.00, Ss, NI	2

▽ ASSEMBLY

▲ INCLUDED IN ASSEMBLY

● RECOMMENDED STOCK ITEMS

EMERGENCY STOP BUTTON GROUP



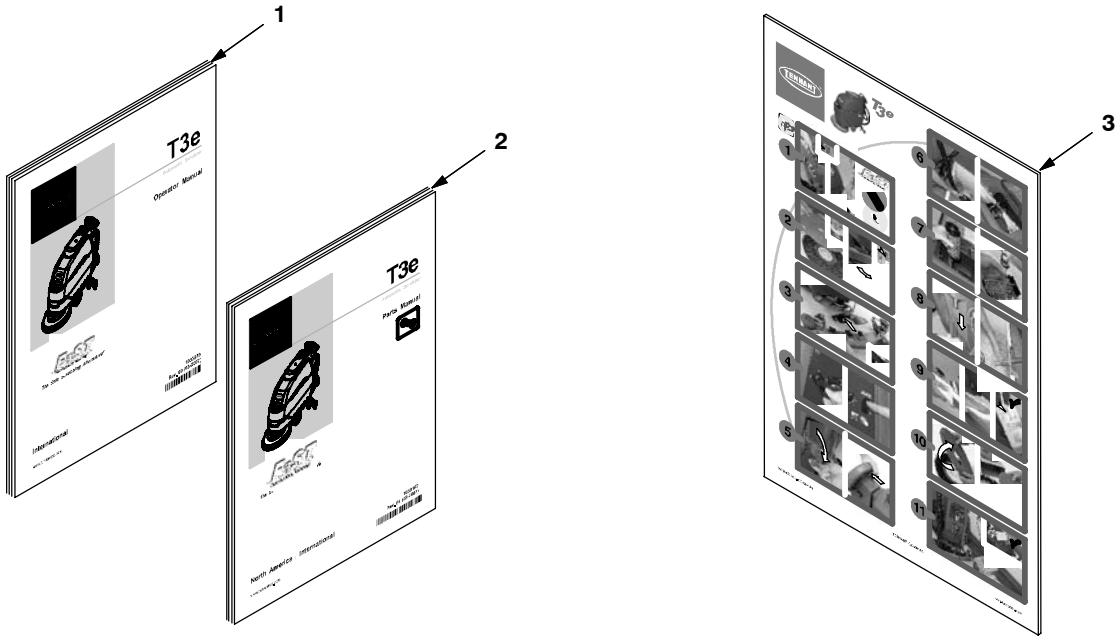
Ref.	Part No.	Serial Number	Description	Qty.
▽	9003350	(00000000-	)● Kit, E-Stop [T3]	1
▲ 1	1011735	(00000000-	)● Switch, Safety, Shutoff	1

▽ ASSEMBLY

▲ INCLUDED IN ASSEMBLY

● RECOMMENDED STOCK ITEMS

DOCUMENTATION GROUP



Ref.	Part No.	Serial Number	Description	Qty.
1	1030166	(00000000- )	Manual, Oprtr [T3e, Cn] Chinese	1
1	1033579	(00000000- )	Manual, Oprtr, En [T3e] English	1
1	1033580	(00000000- )	Manual, Oprtr, Es [T3e] Spanish	1
2	1030167	(00000000- )	Manual, Parts [T3e]	1
3	1033582	(00000000- )	Instr, Use & Care, Txtls [T3e]	1